

Mirror constructed from 6mm silvered float glass laminated to a bi-axially orientated, 60 micron thick polypropylene safety film coated with clear acrylic adhesive. All edges radiused.

Conforms to B.S.6206B

To be mounted onto a cushioned soft wood timber frame.

A: TJH, CSP2-1863, 12-05-04. MIRROR DETAILS AND DESCRIPTION IMPROVED TO SUPPLIERS INFORMATION.



Continental Sports Limited  
 Paddock, Huddersfield HD1 4SD  
 Tel: Huddersfield (01484) 542051 Fax: (01484) 539148  
 Website: <http://www.contisports.co.uk>  
 E-Mail: [sales@contisports.co.uk](mailto:sales@contisports.co.uk)

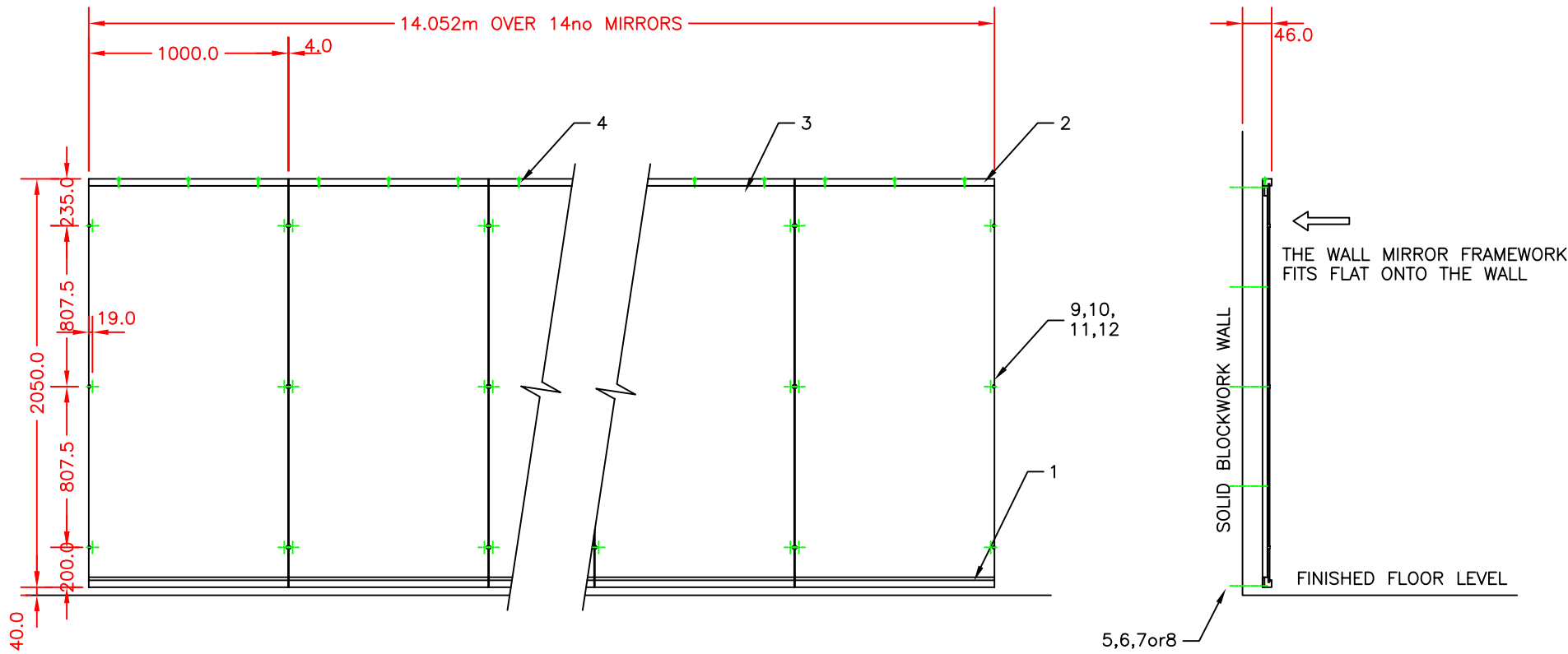
STANDARD WALL MIRROR.

Part No: BOMIRROR05

scale	date	dr	rev
	26/11/98	TJH	A

projection	dwg no
	536-11

Tolerances as detailed on SPE001 unless noted on the dimension. ALL DIMENSIONS ARE GIVEN IN MILLIMETRES. DO NOT SCALE OFF DRAWING.



ITEM	QTY	DESCRIPTION	DRG No	PART No
1	14	STANDARD WALL MIRROR FRAMEWORK	536-02	Z1200B01AA
2	14	MIRROR FRAME TOP LATH	536-10	Z1200B02AA
3	14	STANDARD WALL MIRROR	536-11	BOMIRROR05
4	42	No10 x 2" LG CSK SUPADRV WOODSCREW	STOCK ITEM	FAS-CWS009
5	280	WHITE PLASTIC PLUG No.8-12	STOCK ITEM	RAWL67-024
6	140	M6 FLAT WASHER FORM 'C'	STOCK ITEM	FAS-FLW002
7	280	No10 x 2.1/2" LG CSK SUPADRV WOODSCREW OR	STOCK ITEM	FAS-CWS010
8	280	No 10 x 2" LG CSK SUPADRV WOODSCREW	STOCK ITEM	FAS-CWS009
9	84	No 8 x 1" LG CSK WOODSCREW	STOCK ITEM	FAS-CWS002
10	168	M6 FLAT WASHER FORM 'C'	STOCK ITEM	FAS-FLW001
11	84	WHITE PLASTIC MIRROR WASHER	STOCK ITEM	FAS-MIRROR2
12	84	ADJUSTABLE MIRROR BRACKET	STOCK ITEM	FAS-MIRROR3

PART No: 01200B01AA (Each mirror frame)

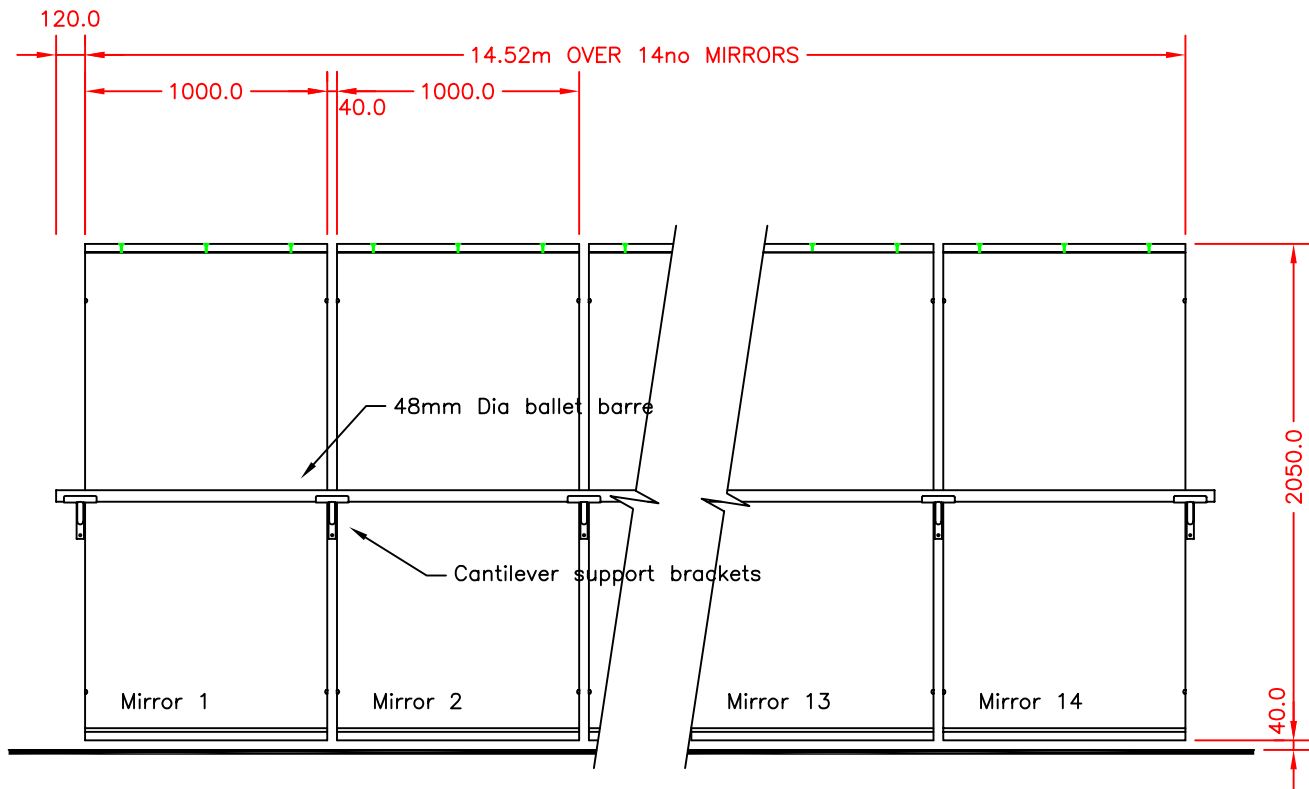
A. 17/10/01. Pl. CSP2-1554. Item 3 did refer to drg no 536-01.



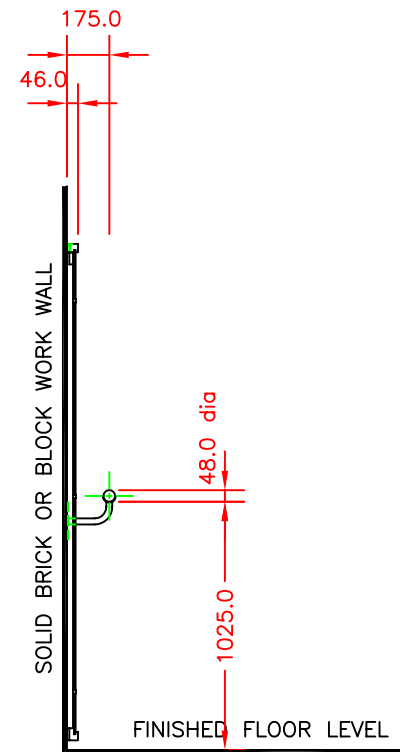
Tel:Huddersfield(01484)542051 Fax:(01484)539148

STANDARD 14.0m WALL MIRROR ASSEMBLY

scale	date	dr	rev
	19/02/99	TJH	A
dwg no			
536/09			



**FRONT ELEVATION**



**SIDE ELEVATION**

**NOTE**  
 Each mirror locates into a timber framework.  
 See ref 536 drawings for further information on wall mirrors and ballet barre.



Tel:Huddersfield(01484)542051 Fax:(01484)539148

**STANDARD 14.0m WALL MIRROR and BALLETT BARRE ASSEMBLY**

scale	date	dr	rev
1:20	24/01/01	TJH	

dwg no **536-15**