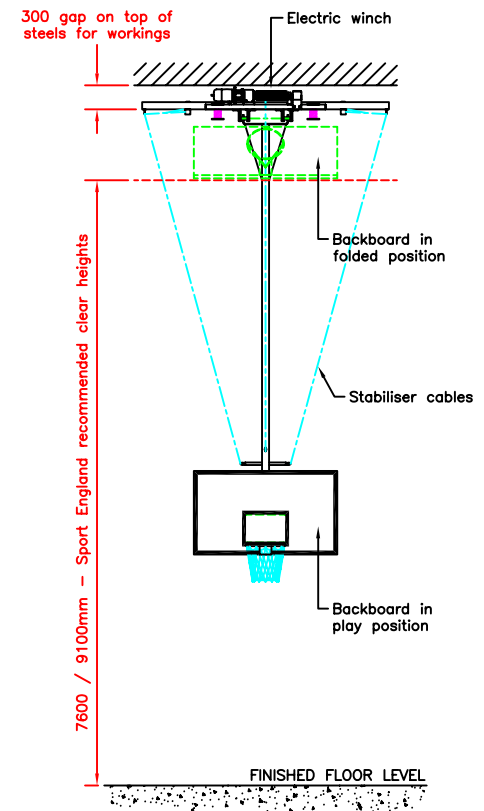
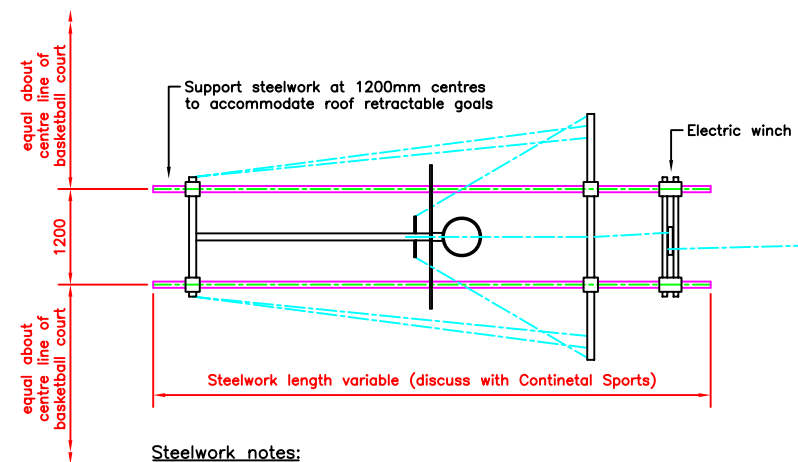


SIDE VIEW



FRONT VIEW

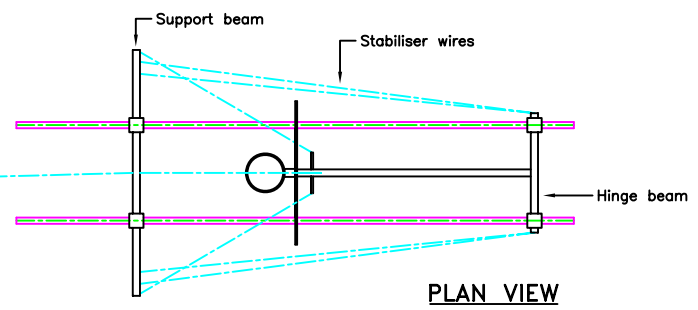


Steelwork notes:

Suitable support steelwork should be provided approximately 3.5 metres in front and behind, the front face of the basketball board in the play position. There must be a 300mm gap above the steelwork to accommodate the winch & workings. The steelwork installed must be capable of accepting 254 kgs S.W.L. at any point along its length and two sections of steel at 1.2 metres centres are necessary.

Before any steelwork is installed please forward design drawings to drawingoffice@contisports.co.uk for comment / approval.

Also see information sheets and drawing nos SH-06 and SH-07.



PLAN VIEW

Continental Sports Limited
The copyright of this drawing and any supplementary information issued shall remain vested in Continental Sports Limited. It shall not be passed to any other party without the express written consent of an authorised director of Continental Sports Limited.

Tolerances as detailed on SPE001 unless noted on the dimension.
ALL DIMENSIONS ARE GIVEN IN MILLIMETRES.
DO NOT SCALE OFF DRAWING.

D: RC CSP2-2218 4/11/09. DRAWING REDRAWN & UPDATED. WINCH IN MIDDLE OF HALL REMOVED. HEIGHTS ADDED.
C: RC 28/09/06. CSP2-2072. BACKBOARD NOTE ADDED.
B: TSH 11/01/01. CSP2-1477. REDRAWN ON C.A.D. WITH MINOR UPDATED CHANGES.

CONTINENTAL
Continental Sports Limited
Paddock, Huddersfield HD1 4SD
Tel: Huddersfield (01484) 542351 Fax: (01484) 539148
Website: <http://www.continental-sports.co.uk>
E-Mail: sales@contisports.co.uk

Continental Sports Limited accepts no responsibility for ensuring compliance of this layout with any relevant legislation.

SPORTS HALL, Electric Winch Operated Overhead Retractable Basketball Goals.

scale	date	dr	rev
1:50	11/1/01	TJH	D
projection	dwg no	SH-02	