



[www.continentialsports.co.uk](http://www.continentialsports.co.uk)

## **Floor fixing details pack No.3**

These details show the type of floor fixing that we will install for certain types of equipment in certain sub-floor constructions and the necessary provision that must be made in advance of Continental installing the fixing

This pack applies to:

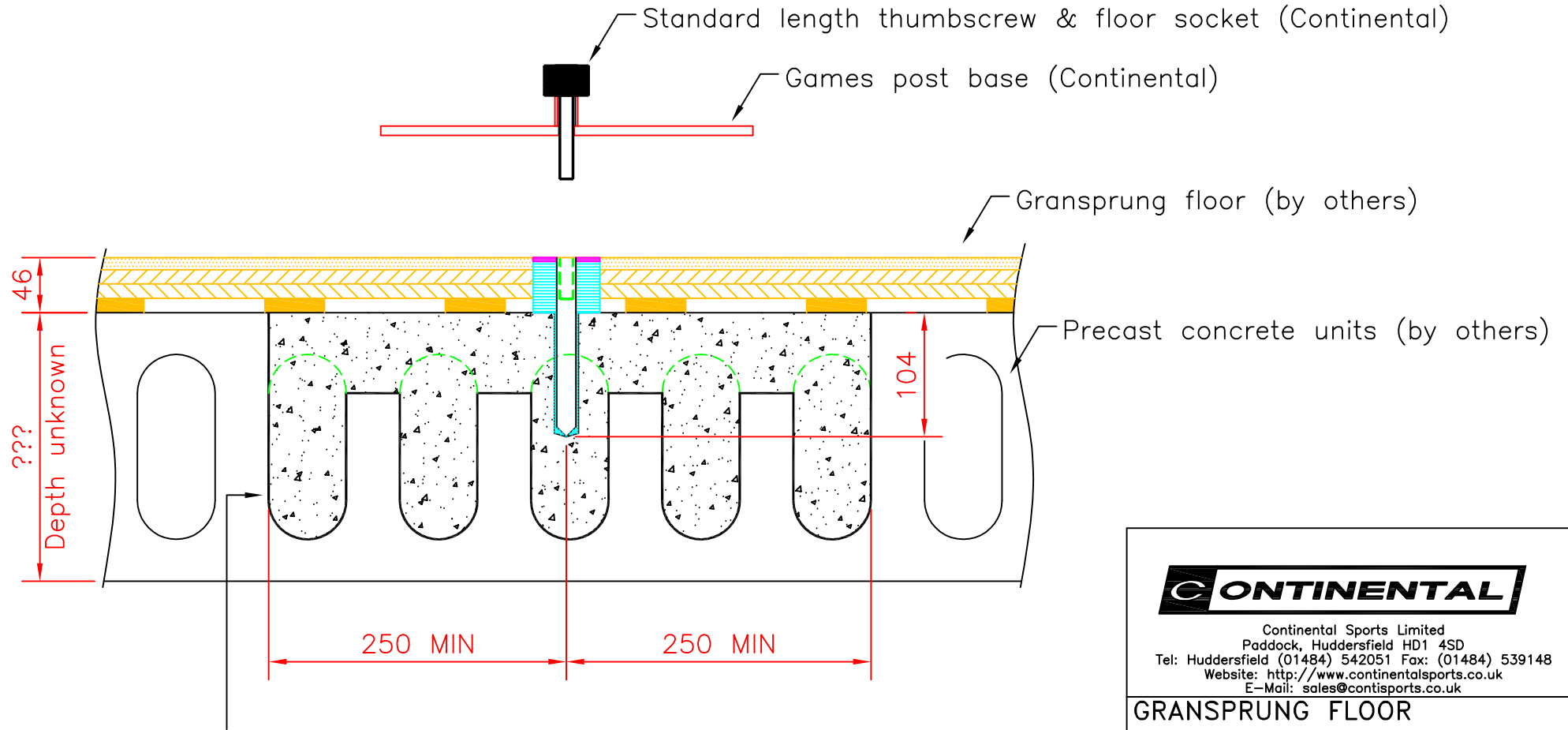
Granwood / Gransprung floors



[www.continental sports.co.uk](http://www.continental sports.co.uk)

	<b>Gamespost anchors</b>	<b>Gymnastic apparatus anchors</b>	<b>Rebound screens</b>
<b>Pre-cast planks with voids</b>	<b>FF-25</b> <i>(page 3)</i>	<b>FF-26</b> <i>(page 4)</i>	<b>FF-27</b> <i>(page 5)</i>
<b>Slab with screed and/or underfloor heating pipes</b>	<b>FF-28</b> <i>(page 6)</i>	<b>FF-29</b> <i>(page 7)</i>	<b>FF-30</b> <i>(page 8)</i>
<b>Solid concrete sub-floor</b>	<b>FF-31</b> <i>(page 9)</i>	<b>FF-32</b> <i>(page 10)</i>	<b>FF-33</b> <i>(page 11)</i>

# GRANSPRUNG FLOOR – PRE-CAST CONCRETE UNITS – GAMES POSTS



Scabble internal faces of precast concrete units to form key and apply pva bonding agent prior to casting infill concrete (by others)

(Advisable dimension 500mm<sup>2</sup>)

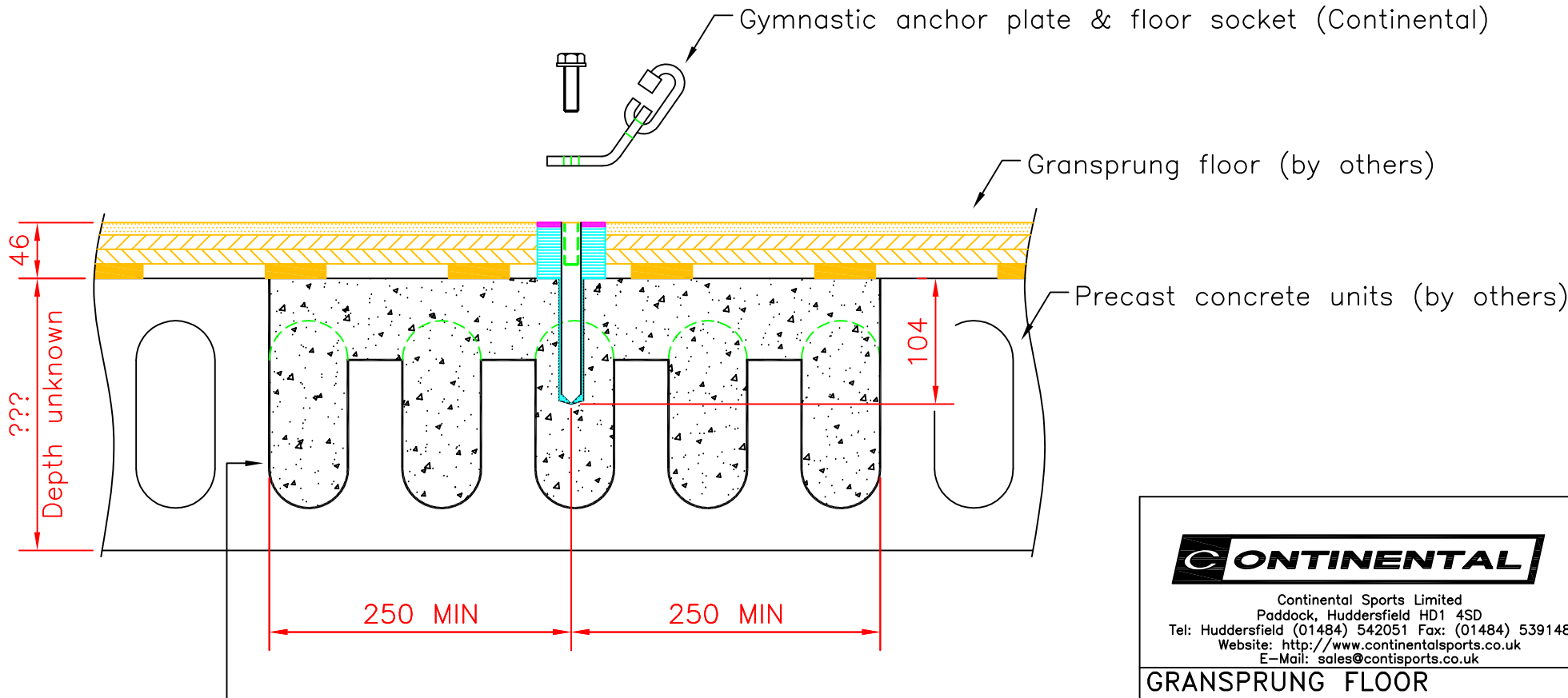


Continental Sports Limited  
 Paddock, Huddersfield HD1 4SD  
 Tel: Huddersfield (01484) 542051 Fax: (01484) 539148  
 Website: <http://www.continentalssports.co.uk>  
 E-Mail: [sales@contisports.co.uk](mailto:sales@contisports.co.uk)

**GRANSPRUNG FLOOR  
 PRE-CAST CONCRETE UNITS  
 GAMES POSTS**

scale	date	dr	rev
1:5	26/9/06	RC	
projection	dwg no		
	FF-25		

# GRANSPRUNG FLOOR – PRE-CAST CONCRETE UNITS – GYMNASTIC FIXINGS



Scabble internal faces of precast concrete units to form key and apply pva bonding agent prior to casting infill concrete (by others)

(Advisable dimension 500mm<sup>2</sup>)

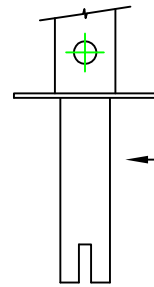


Continental Sports Limited  
 Paddock, Huddersfield HD1 4SD  
 Tel: Huddersfield (01484) 542051 Fax: (01484) 539148  
 Website: <http://www.continentalssports.co.uk>  
 E-Mail: [sales@contisports.co.uk](mailto:sales@contisports.co.uk)

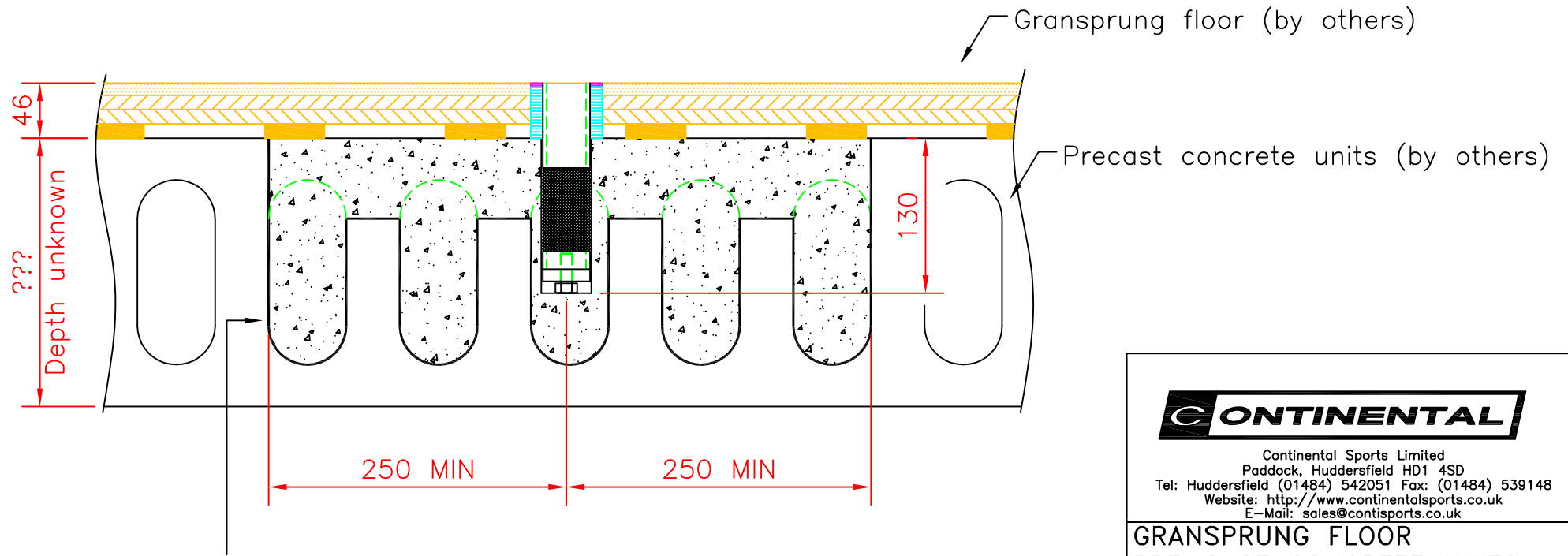
**GRANSPRUNG FLOOR  
 PRE-CAST CONCRETE UNITS  
 GYMNASTIC FIXINGS**

scale	date	dr	rev
1:5	26/9/06	RC	
projection	dwg no		
	FF-26		

# GRANSPRUNG FLOOR – PRE-CAST CONCRETE UNITS – REBOUND SCREEN SOCKETS



Rebound screen post & floor socket (Continental)



Scabble internal faces of precast concrete units to form key and apply pva bonding agent prior to casting infill concrete (by others)

(Advisable dimension 500mm<sup>2</sup>)

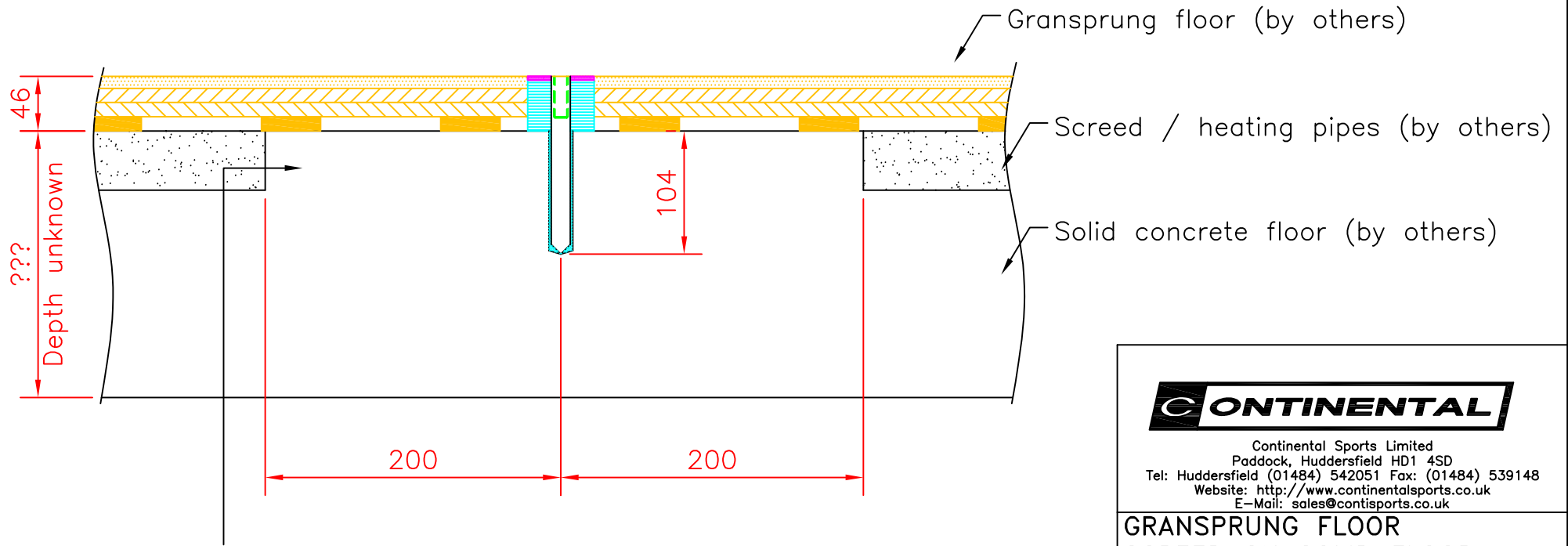
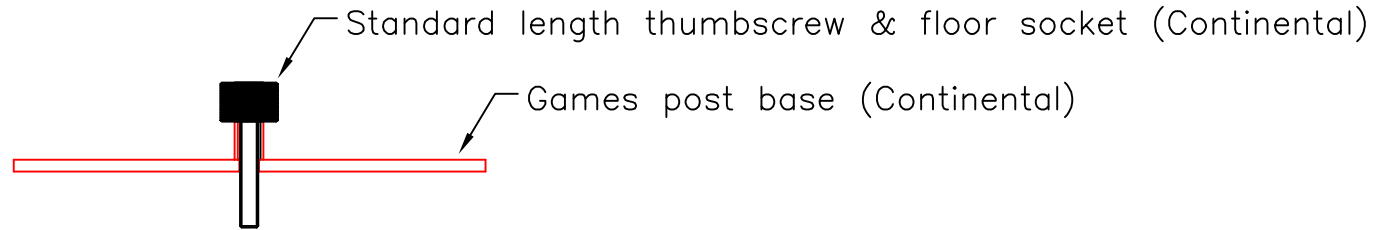


Continental Sports Limited  
 Paddock, Huddersfield HD1 4SD  
 Tel: Huddersfield (01484) 542051 Fax: (01484) 539148  
 Website: <http://www.continentalports.co.uk>  
 E-Mail: [sales@contisports.co.uk](mailto:sales@contisports.co.uk)

**GRANSPRUNG FLOOR  
 PRE-CAST CONCRETE UNITS  
 REBOUND SCREEN SOCKETS**

scale	date	dr	rev
1:5	26/9/06	RC	
projection	dwg no		
	FF-27		

# GRANSPRUNG FLOOR – SCREED ON SOLID FLOOR – GAMES POSTS



Concrete plinth to be cast in situ up to top of solid floor as shown (by others)

(Advisable dimension 400mm<sup>2</sup>)

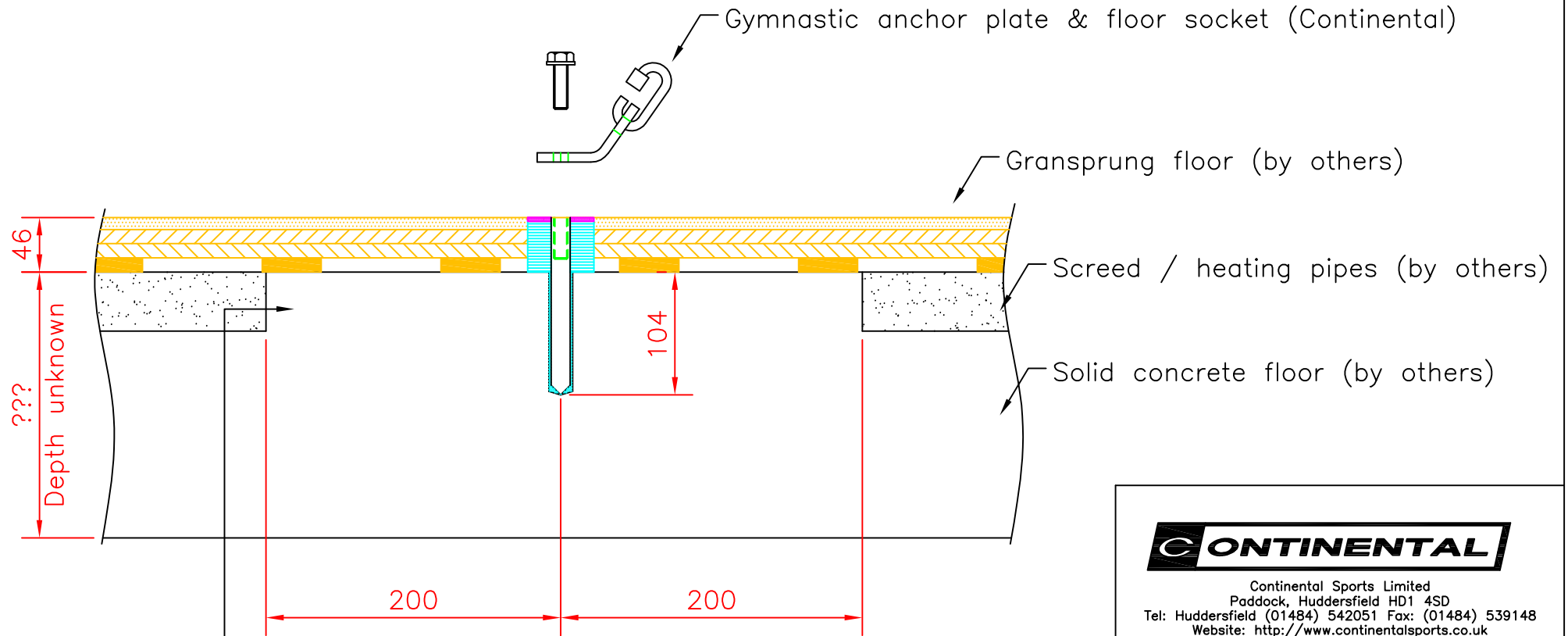


Continental Sports Limited  
 Paddock, Huddersfield HD1 4SD  
 Tel: Huddersfield (01484) 542051 Fax: (01484) 539148  
 Website: <http://www.continentalports.co.uk>  
 E-Mail: [sales@contisports.co.uk](mailto:sales@contisports.co.uk)

**GRANSPRUNG FLOOR  
 SCREED ON SOLID FLOOR  
 GAMES POSTS**

scale	date	dr	rev
1:5	26/9/06	RC	
projection	dwg no		
	FF-28		

# GRANSPRUNG FLOOR – SCREED ON SOLID FLOOR – GYMNASTIC FIXINGS

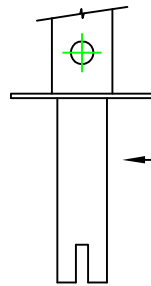


Continental Sports Limited  
 Paddock, Huddersfield HD1 4SD  
 Tel: Huddersfield (01484) 542051 Fax: (01484) 539148  
 Website: <http://www.continentalports.co.uk>  
 E-Mail: [sales@contisports.co.uk](mailto:sales@contisports.co.uk)

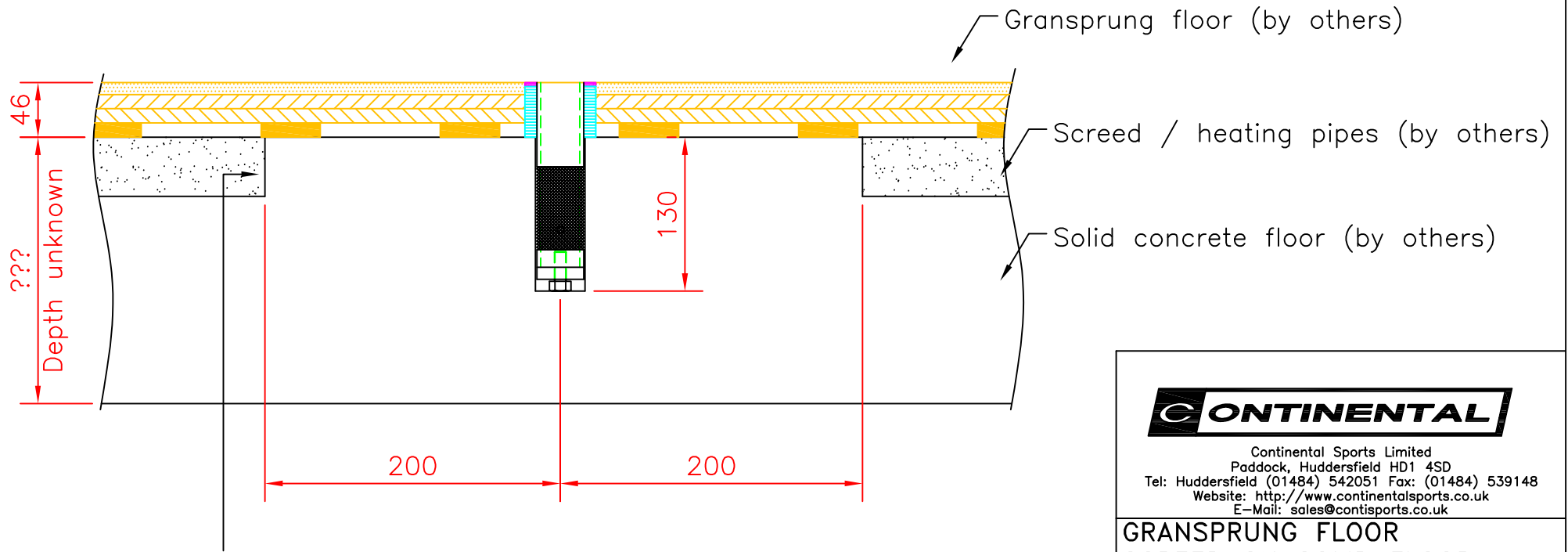
**GRANSPRUNG FLOOR  
 SCREED ON SOLID FLOOR  
 GYMNASTIC FIXINGS**

scale	date	dr	rev
1:5	26/9/06	RC	
projection	dwg no		
	FF-29		

# GRANSPRUNG FLOOR – SCREED ON SOLID FLOOR – REBOUND SCREEN SOCKETS



Rebound screen post & floor socket (Continental)



Concrete plinth to be cast in situ up to top of solid floor as shown (by others)

(Advisable dimension 400mm<sup>2</sup>)



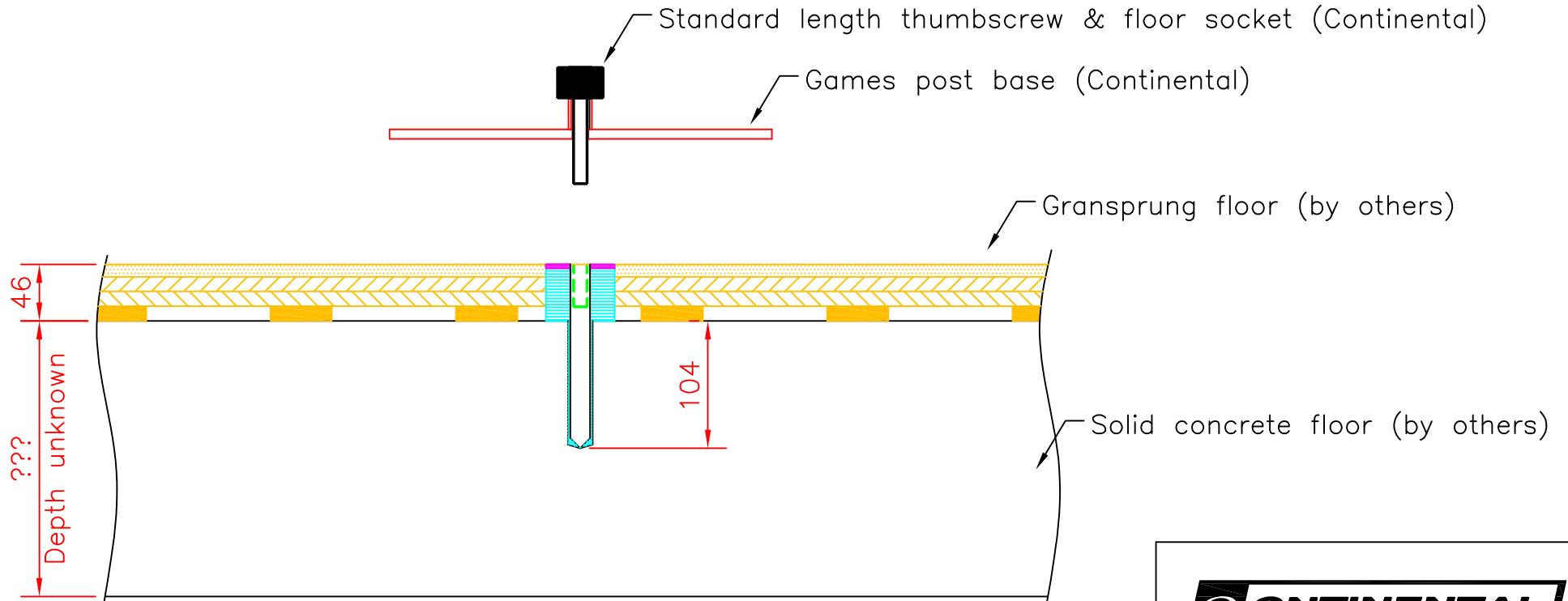
Continental Sports Limited  
 Paddock, Huddersfield HD1 4SD  
 Tel: Huddersfield (01484) 542051 Fax: (01484) 539148  
 Website: <http://www.continentalports.co.uk>  
 E-Mail: [sales@contisports.co.uk](mailto:sales@contisports.co.uk)

**GRANSPRUNG FLOOR  
 SCREED ON SOLID FLOOR  
 REBOUND SCREEN SOCKETS**

scale	date	dr	rev
1:5	26/9/06	RC	

projection	dwg no
	FF-30

# GRANSPRUNG FLOOR – SOLID CONCRETE FLOOR – GAMES POSTS



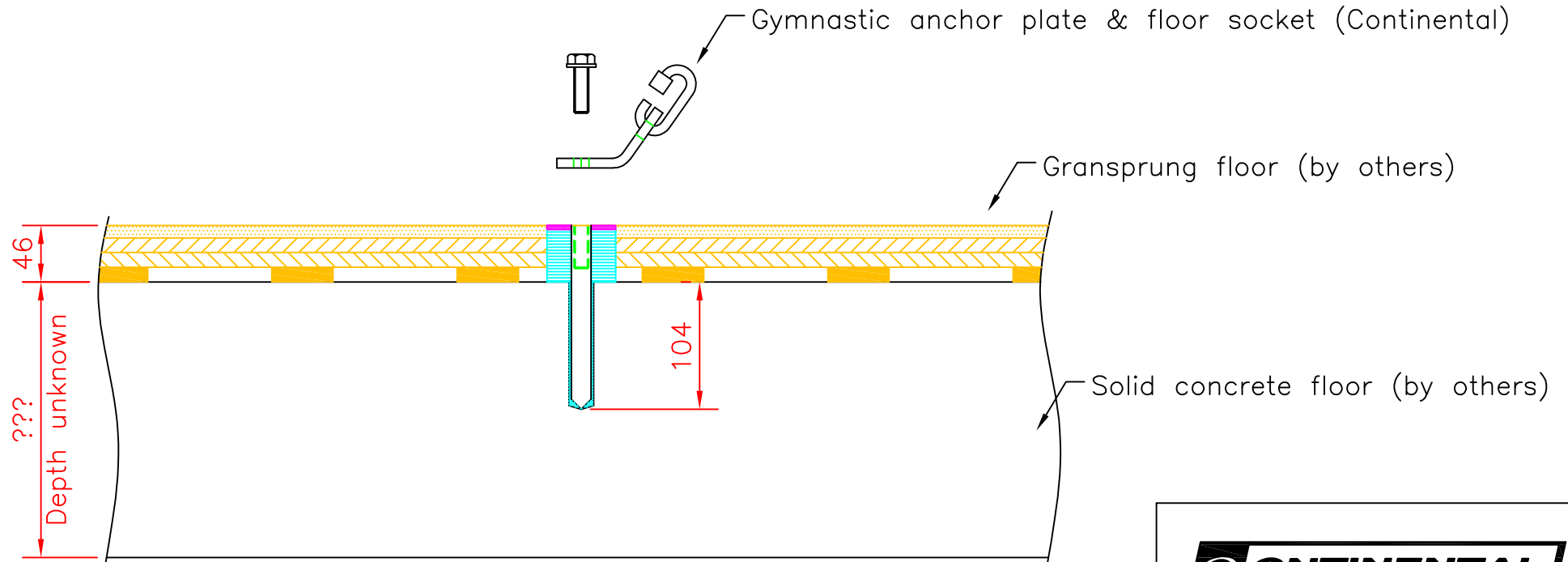
Continental Sports Limited  
 Paddock, Huddersfield HD1 4SD  
 Tel: Huddersfield (01484) 542051 Fax: (01484) 539148  
 Website: <http://www.continentalssports.co.uk>  
 E-Mail: [sales@contisports.co.uk](mailto:sales@contisports.co.uk)

**GRANSPRUNG FLOOR  
 SOLID CONCRETE FLOOR  
 GAMES POSTS**

scale	date	dr	rev
1:5	26/9/06	RC	

projection	dwg no
	FF-31

# GRANSPRUNG FLOOR – SOLID CONCRETE FLOOR – GYMNASTIC FIXINGS



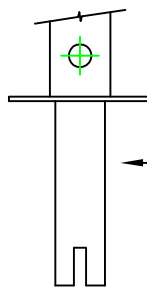
Continental Sports Limited  
 Paddock, Huddersfield HD1 4SD  
 Tel: Huddersfield (01484) 542051 Fax: (01484) 539148  
 Website: <http://www.continental sports.co.uk>  
 E-Mail: [sales@contisports.co.uk](mailto:sales@contisports.co.uk)

**GRANSPRUNG FLOOR  
 SOLID CONCRETE FLOOR  
 GYMNASTIC FIXINGS**

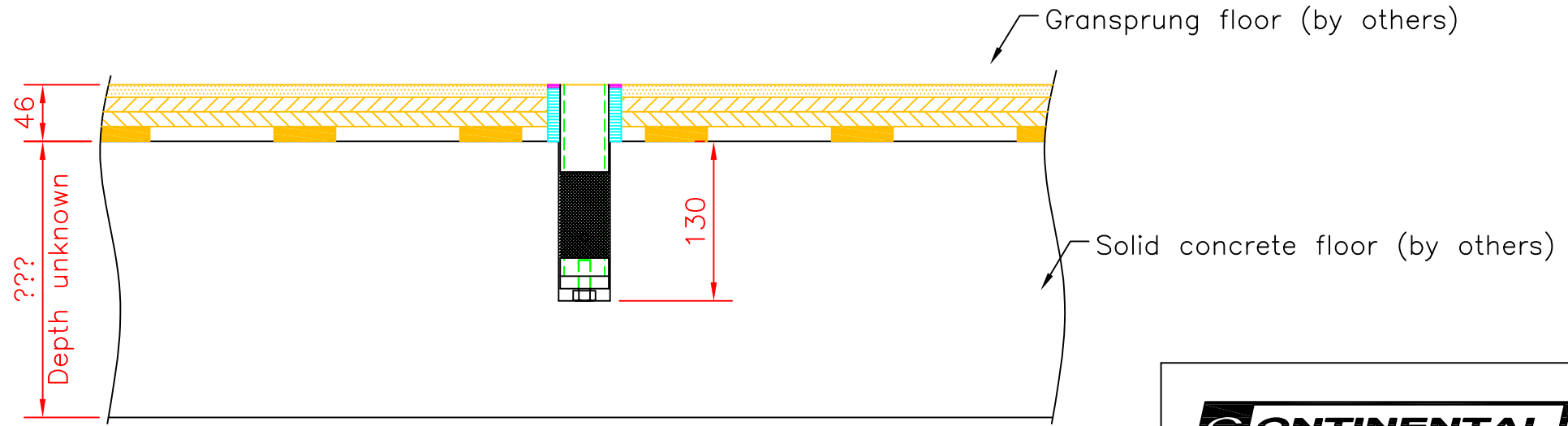
scale	date	dr	rev
1:5	26/9/06	RC	

projection	dwg no
	FF-32

# GRANSPRUNG FLOOR – SOLID CONCRETE FLOOR – REBOUND SCREEN SOCKETS



← Rebound screen post & floor socket (Continental)



Continental Sports Limited  
 Paddock, Huddersfield HD1 4SD  
 Tel: Huddersfield (01484) 542051 Fax: (01484) 539148  
 Website: <http://www.continentalssports.co.uk>  
 E-Mail: [sales@contisports.co.uk](mailto:sales@contisports.co.uk)

**GRANSPRUNG FLOOR  
 SOLID CONCRETE FLOOR  
 REBOUND SCREEN SOCKETS**

scale	date	dr	rev
1:5	26/9/06	RC	

projection	dwg no
	FF-33