



www.continentialsports.co.uk

Floor fixing details pack No.2

These details show the type of floor fixing that we will install for certain types of equipment in certain sub-floor constructions and the necessary provision that must be made in advance of Continental installing the fixing

This pack applies to:

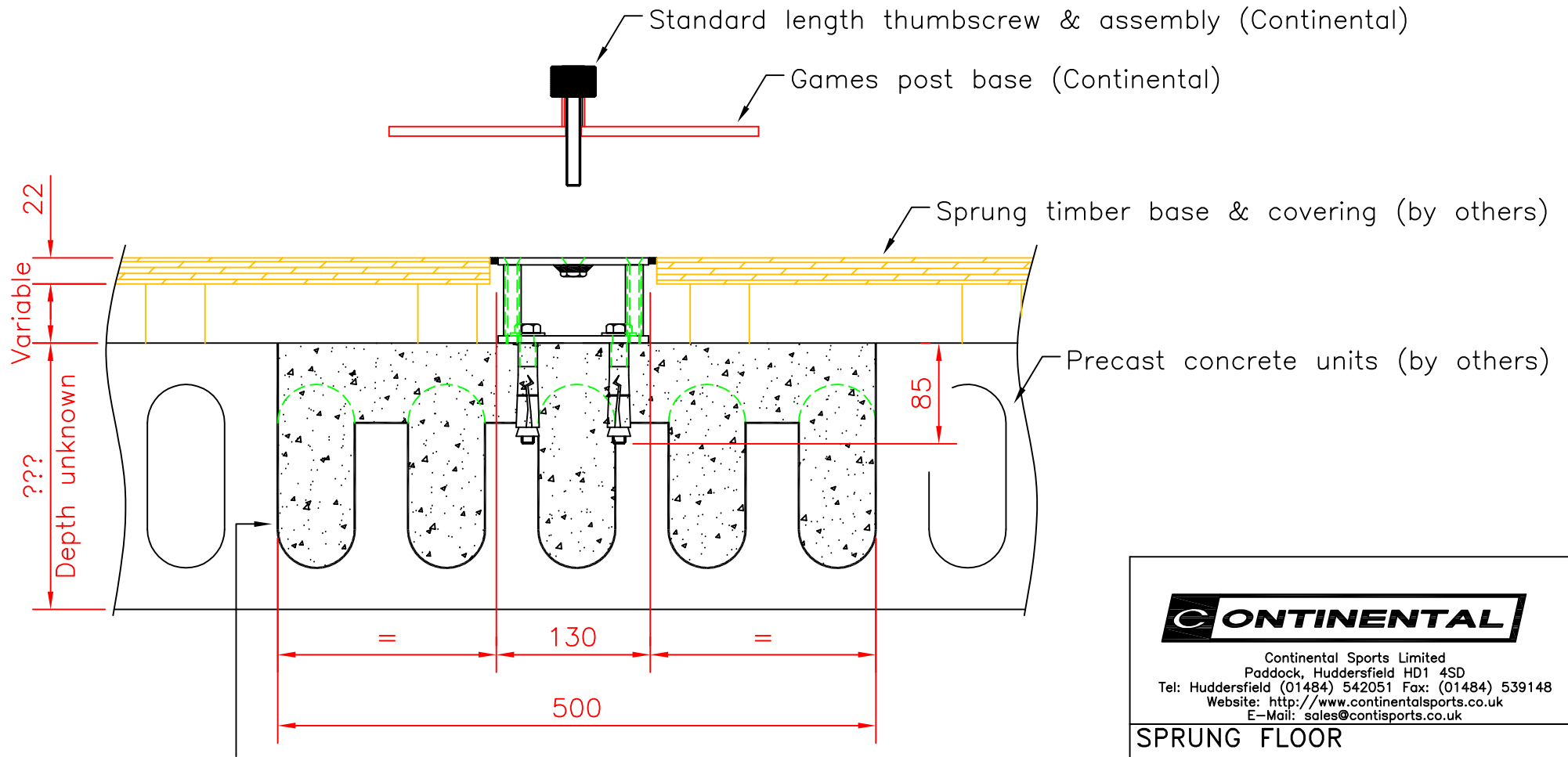
Sprung floors into which Sports Bushing Covers CAN NOT be installed
(e.g. certain vinyl floors installed on batten and timber under-carriages)



www.continental sports.co.uk

	Gamespost anchors	Gymnastic apparatus anchors (void between sub-floor and FFL < 50mm)	Gymnastic apparatus anchors (void between sub-floor and FFL >50mm)	Rebound screens
Pre-cast planks with voids	FF-13 <i>(page 3)</i>	FF-14 <i>(page 4)</i>	FF-15 <i>(page 5)</i>	FF-16 <i>(page 6)</i>
Slab with screed and/or underfloor heating pipes	FF-17 <i>(page 7)</i>	FF-18 <i>(page 8)</i>	FF-19 <i>(page 9)</i>	FF-20 <i>(page 10)</i>
Solid concrete sub-floor	FF-21 <i>(page 11)</i>	FF-22 <i>(page 12)</i>	FF-23 <i>(page 13)</i>	FF-24 <i>(page 14)</i>

SPRUNG FLOOR (NO BUSHING COVERS) – PRE-CAST CONCRETE UNITS – GAMES POSTS



Scabble internal faces of precast concrete units to form key and apply pva bonding agent prior to casting infill concrete (by others)

(Advisable dimension 500mm²)

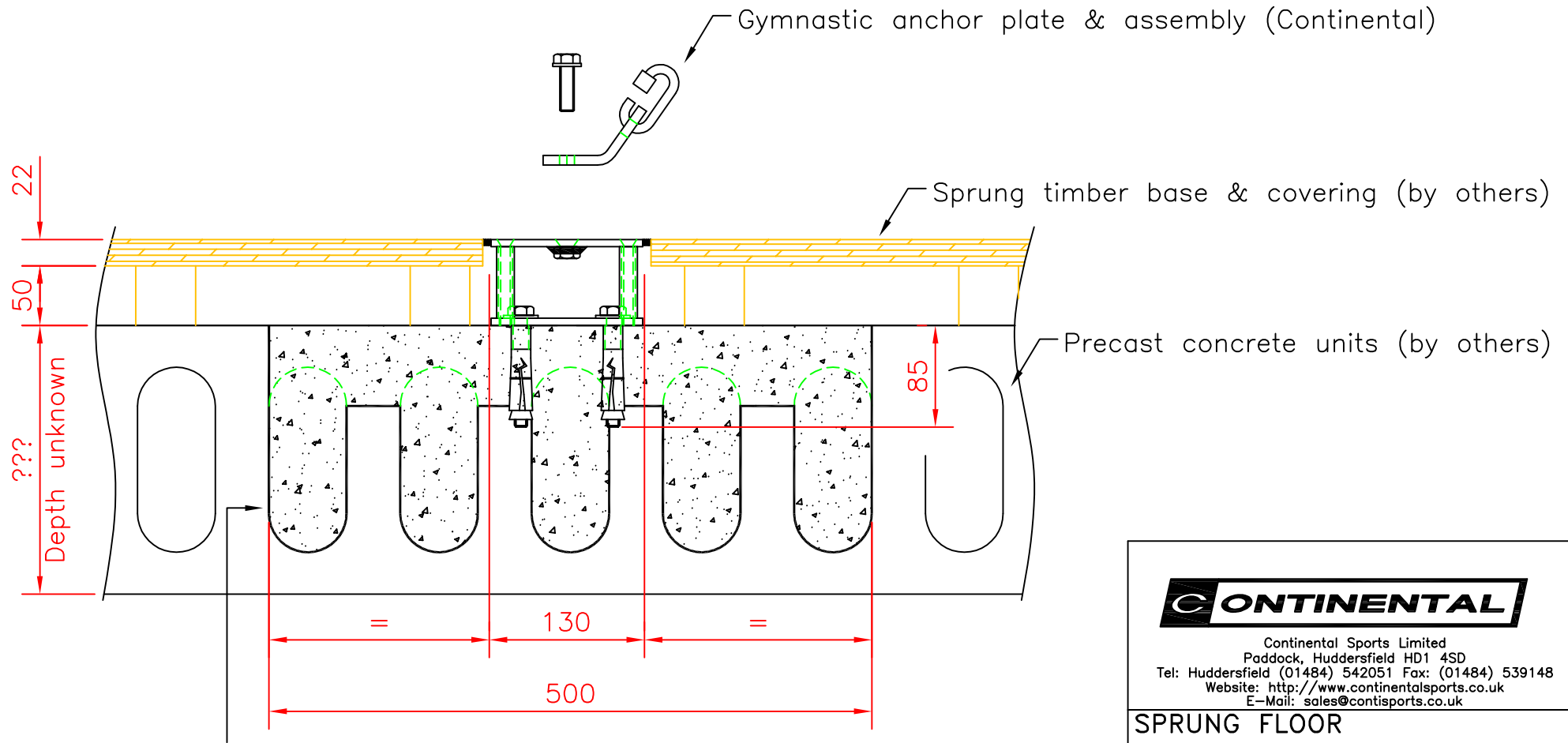


Continental Sports Limited
 Paddock, Huddersfield HD1 4SD
 Tel: Huddersfield (01484) 542051 Fax: (01484) 539148
 Website: <http://www.continentalports.co.uk>
 E-Mail: sales@contisports.co.uk

**SPRUNG FLOOR
 PRE-CAST CONCRETE UNITS
 GAMES POSTS**

scale	date	dr	rev
1:5	26/9/06	RC	
projection	dwg no		
	FF-13		

SPRUNG FLOOR (NO BUSHING COVERS) – PRE-CAST CONCRETE UNITS – GYMNASTIC FIXINGS (less than 50mm thk void)



Scabble internal faces of precast concrete units to form key and apply pva bonding agent prior to casting infill concrete (by others)

(Advisable dimension 500mm²)

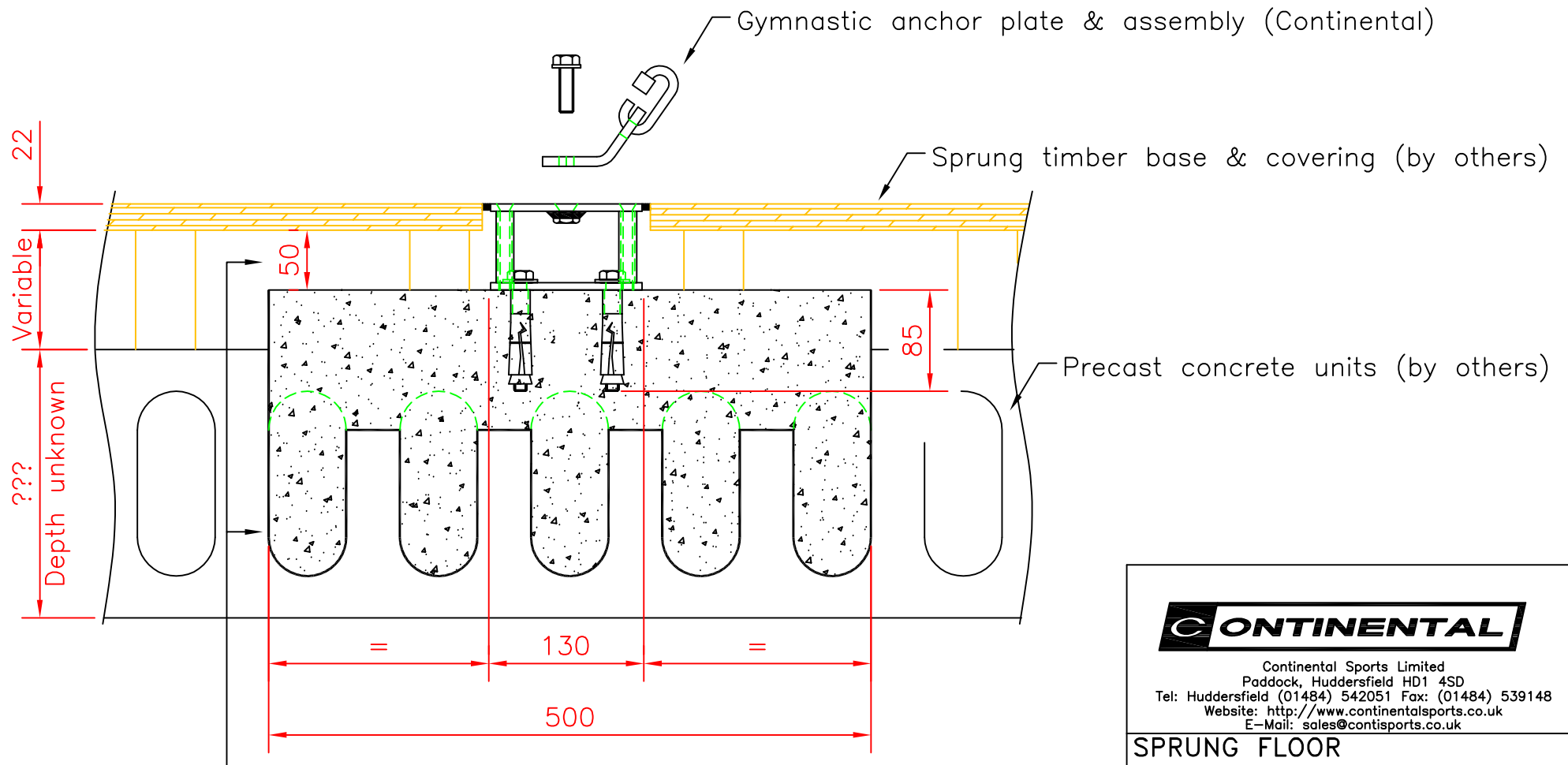


Continental Sports Limited
 Paddock, Huddersfield HD1 4SD
 Tel: Huddersfield (01484) 542051 Fax: (01484) 539148
 Website: <http://www.continentalssports.co.uk>
 E-Mail: sales@contisports.co.uk

**SPRUNG FLOOR
 PRE-CAST CONCRETE UNITS
 GYMNASTIC FIXINGS**

scale	date	dr	rev
1:5	26/9/06	RC	
projection	dwg no		
	FF-14		

SPRUNG FLOOR (NO BUSHING COVERS) – PRE-CAST CONCRETE UNITS – GYMNASTIC FIXINGS (greater than 50mm thk void)



Scabble internal faces of precast concrete units to form key and apply pva bonding agent prior to casting infill concrete, plinth to be built up to within 50mm of u/side of timber floor as shown (by others)

(Advisable dimension 500mm²)



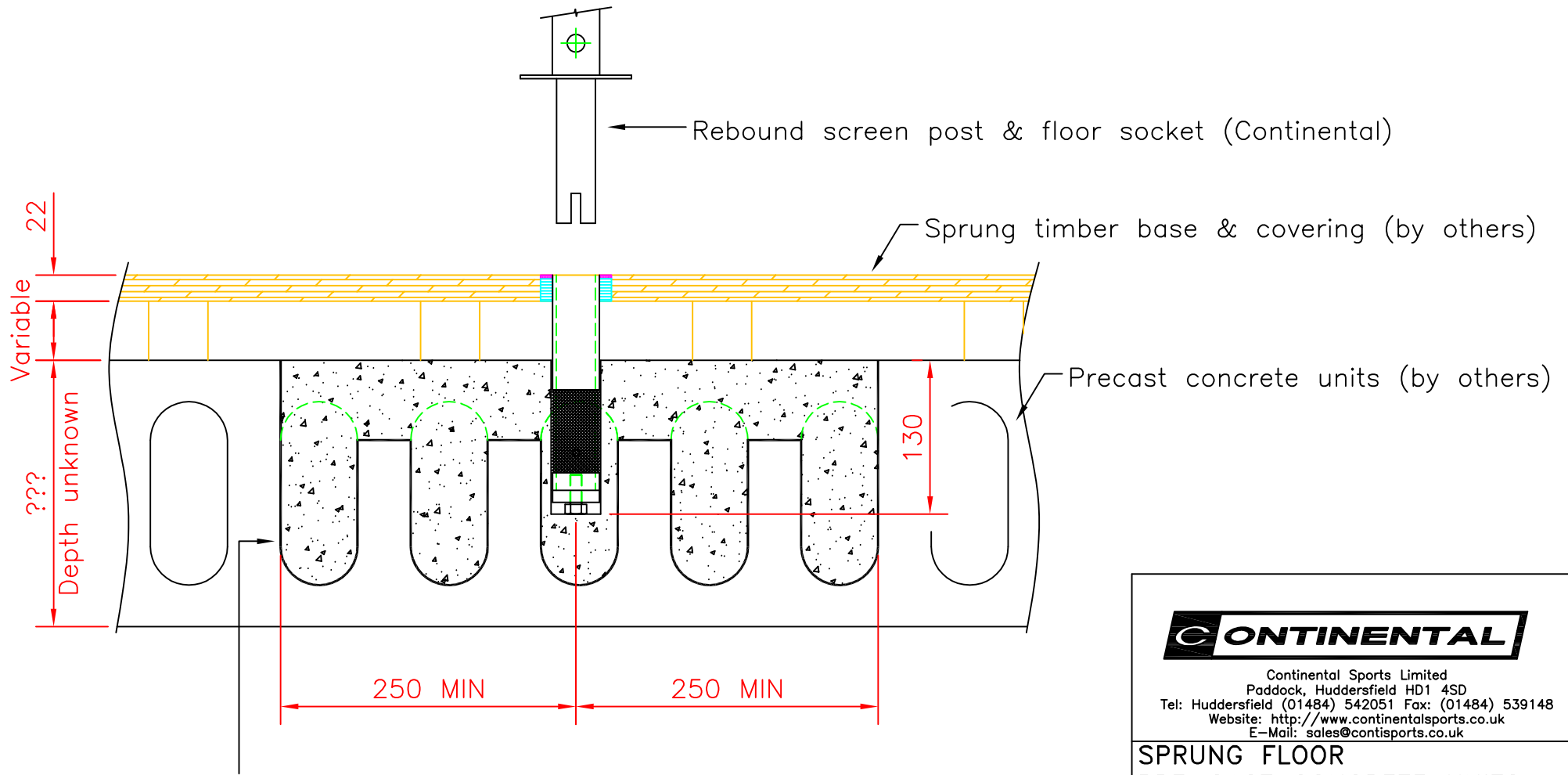
Continental Sports Limited
 Paddock, Huddersfield HD1 4SD
 Tel: Huddersfield (01484) 542051 Fax: (01484) 539148
 Website: <http://www.continentalports.co.uk>
 E-Mail: sales@contisports.co.uk

**SPRUNG FLOOR
 PRE-CAST CONCRETE UNITS
 GYMNASTIC FIXINGS**

scale	date	dr	rev
1:5	26/9/06	RC	

projection	dwg no
	FF-15

SPRUNG FLOOR (NO BUSHING COVERS) – PRE-CAST CONCRETE UNITS – REBOUND SCREEN SOCKETS



Scabble internal faces of precast concrete units to form key and apply pva bonding agent prior to casting infill concrete (by others)

(Advisable dimension 500mm²)

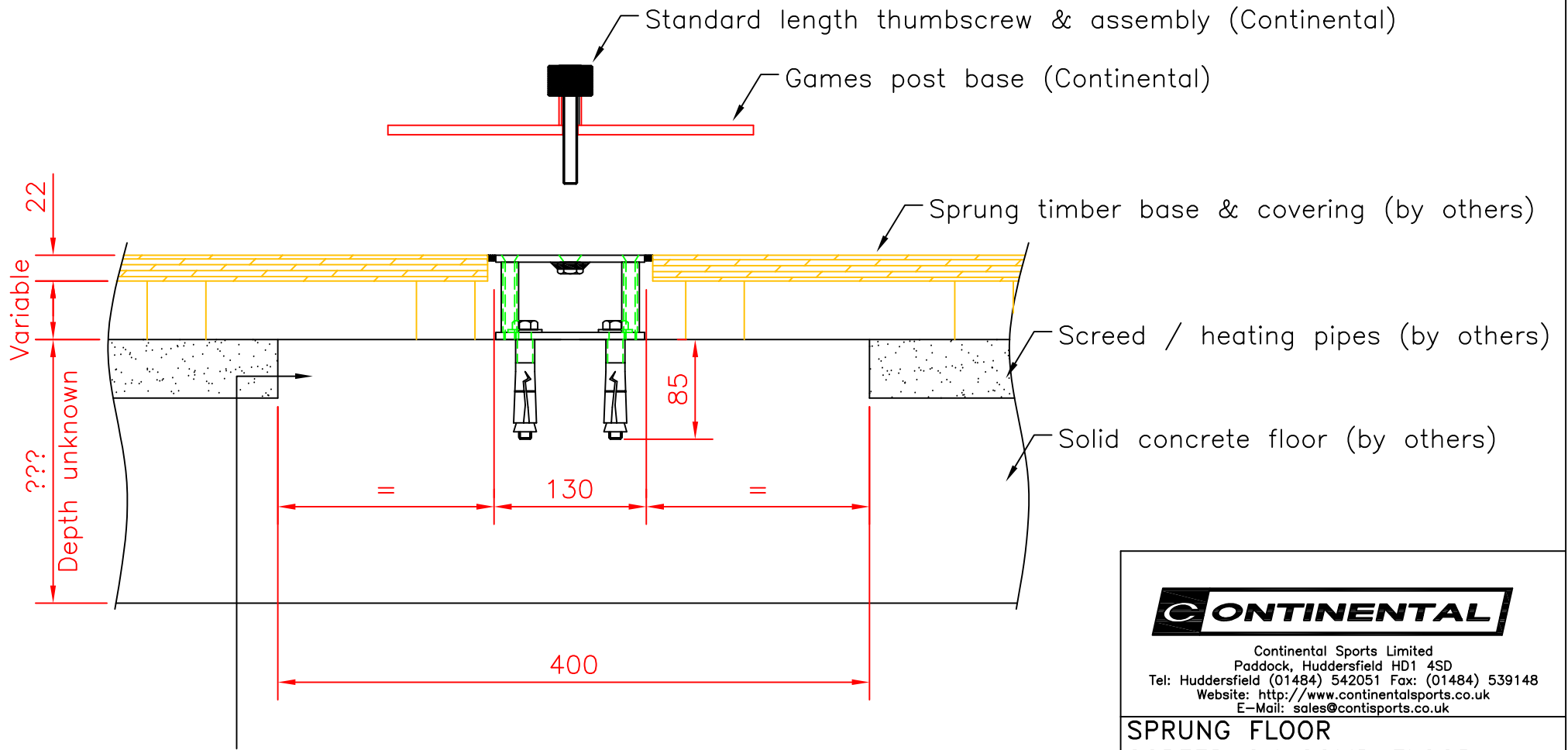


Continental Sports Limited
 Paddock, Huddersfield HD1 4SD
 Tel: Huddersfield (01484) 542051 Fax: (01484) 539148
 Website: <http://www.continentalports.co.uk>
 E-Mail: sales@contisports.co.uk

**SPRUNG FLOOR
 PRE-CAST CONCRETE UNITS
 REBOUND SCREEN SOCKETS**

scale	date	dr	rev
1:5	26/9/06	RC	
projection	dwg no		
	FF-16		

SPRUNG FLOOR (NO BUSHING COVERS) – SCREED ON SOLID FLOOR – GAMES POSTS



Concrete plinth to be cast in situ up to top of solid floor
as shown (by others)

(Advisable dimension 400mm²)

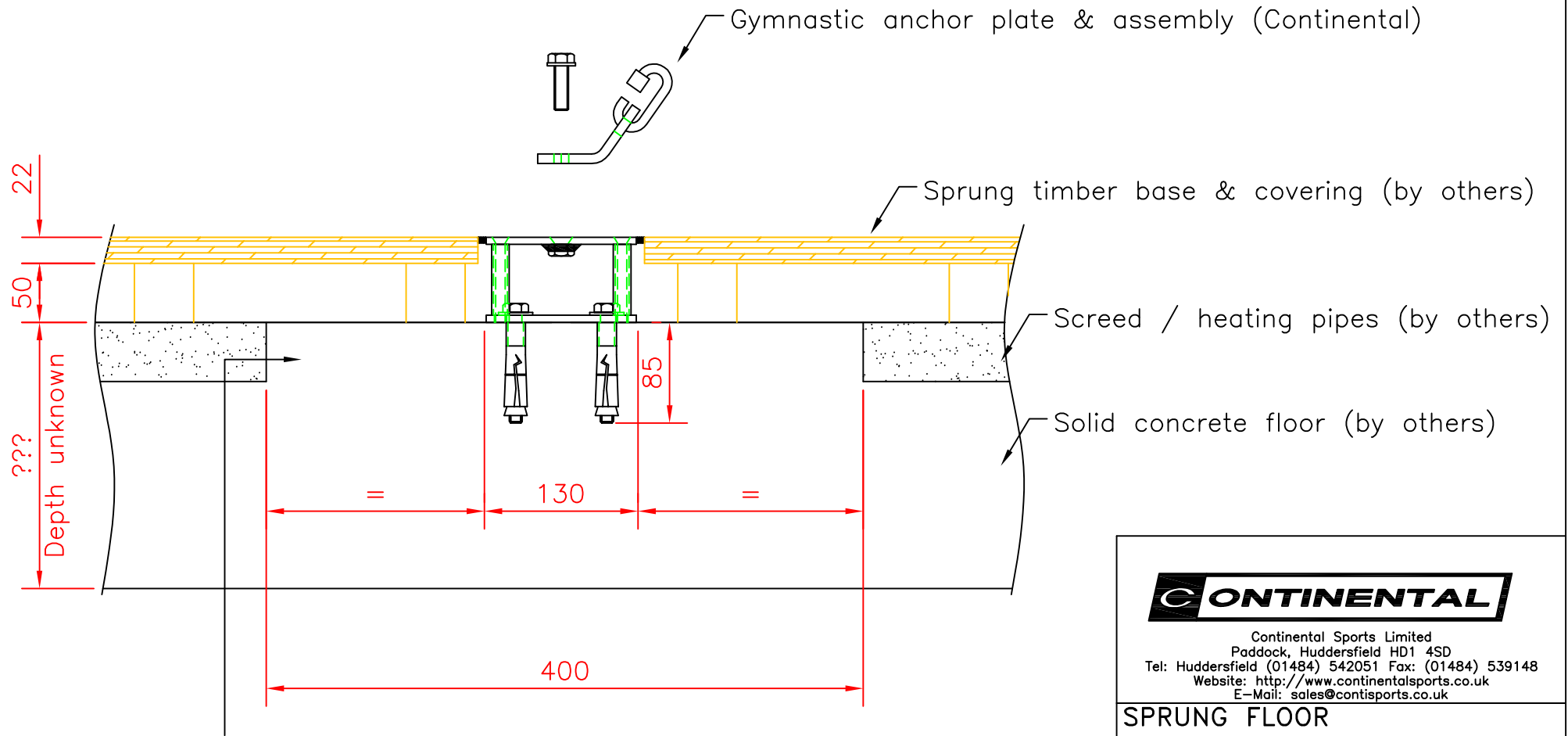


Continental Sports Limited
Paddock, Huddersfield HD1 4SD
Tel: Huddersfield (01484) 542051 Fax: (01484) 539148
Website: <http://www.continentalports.co.uk>
E-Mail: sales@contisports.co.uk

**SPRUNG FLOOR
SCREED ON SOLID FLOOR
GAMES POSTS**

scale	date	dr	rev
1:5	26/9/06	RC	
projection	dwg no		
	FF-17		

SPRUNG FLOOR (NO BUSHING COVERS) – SCREED ON SOLID FLOOR
– GYMNASTIC FIXINGS (less than 50mm thk void)



Concrete plinth to be cast in situ up to top of solid floor as shown (by others)

(Advisable dimension 400mm²)

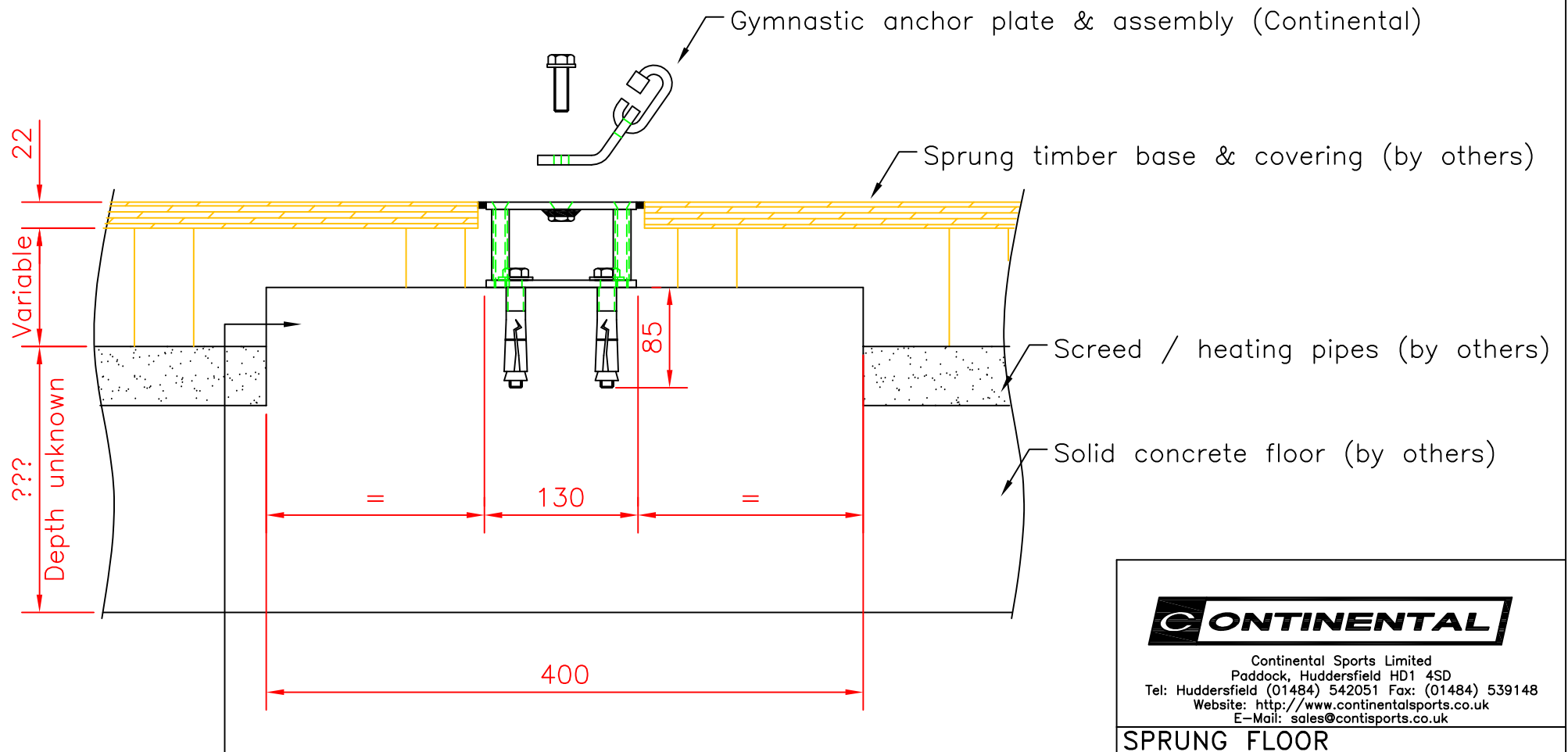


Continental Sports Limited
 Paddock, Huddersfield HD1 4SD
 Tel: Huddersfield (01484) 542051 Fax: (01484) 539148
 Website: <http://www.continentalports.co.uk>
 E-Mail: sales@contisports.co.uk

**SPRUNG FLOOR
 SCREED ON SOLID FLOOR
 GYMNASTIC FIXINGS**

scale	date	dr	rev
1:5	26/9/06	RC	
projection	dwg no		
	FF-18		

SPRUNG FLOOR (NO BUSHING COVERS) – SCREED ON SOLID FLOOR – GYMNASTIC FIXINGS (greater than 50mm thk void)



Concrete plinth to be cast in situ up to within 50mm of u/side of timber floor as shown (by others)

(Advisable dimension 400mm²)

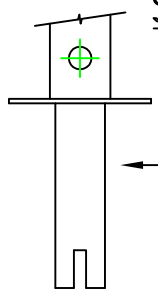


Continental Sports Limited
Paddock, Huddersfield HD1 4SD
Tel: Huddersfield (01484) 542051 Fax: (01484) 539148
Website: <http://www.continentalports.co.uk>
E-Mail: sales@contisports.co.uk

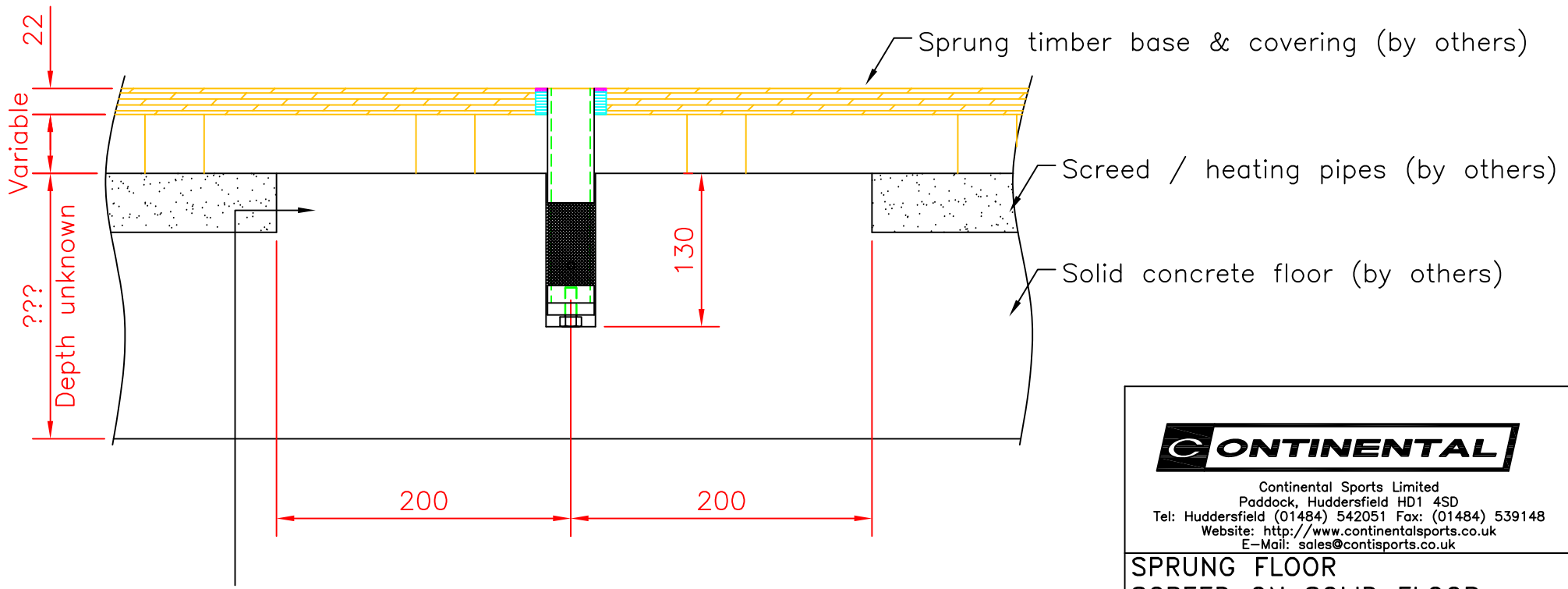
**SPRUNG FLOOR
SCREED ON SOLID FLOOR
GYMNASTIC FIXINGS**

scale	date	dr	rev
1:5	26/9/06	RC	
projection	dwg no		
	FF-19		

SPRUNG FLOOR (NO BUSHING COVERS) – SCREED ON SOLID FLOOR – REBOUND SCREEN SOCKETS



← Rebound screen post & floor socket (Continental)



Concrete plinth to be cast in situ up to top of solid floor as shown (by others)

(Advisable dimension 400mm²)

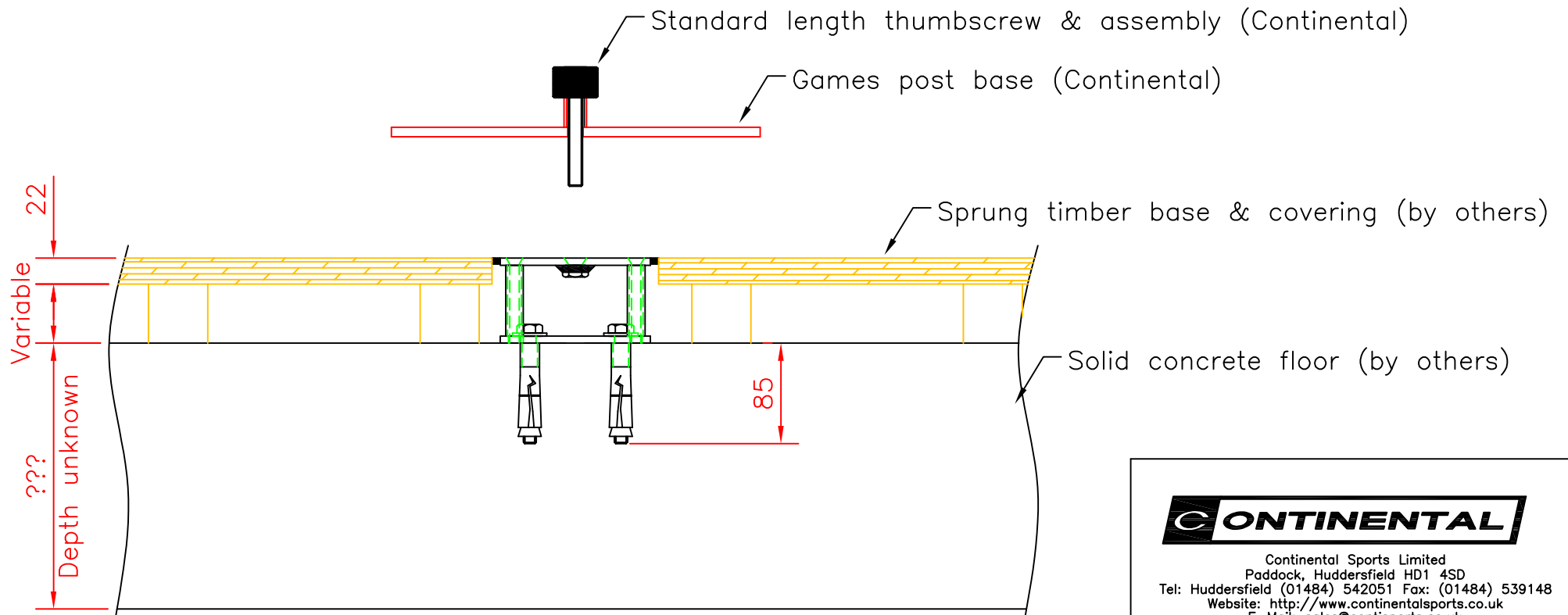


Continental Sports Limited
 Paddock, Huddersfield HD1 4SD
 Tel: Huddersfield (01484) 542051 Fax: (01484) 539148
 Website: <http://www.continentalports.co.uk>
 E-Mail: sales@contisports.co.uk

SPRUNG FLOOR SCREED ON SOLID FLOOR REBOUND SCREEN SOCKETS

scale	date	dr	rev
1:5	26/9/06	RC	
projection	dwg no		
	FF-20		

SPRUNG FLOOR (NO BUSHING COVERS) – SOLID CONCRETE FLOOR – GAMES POSTS



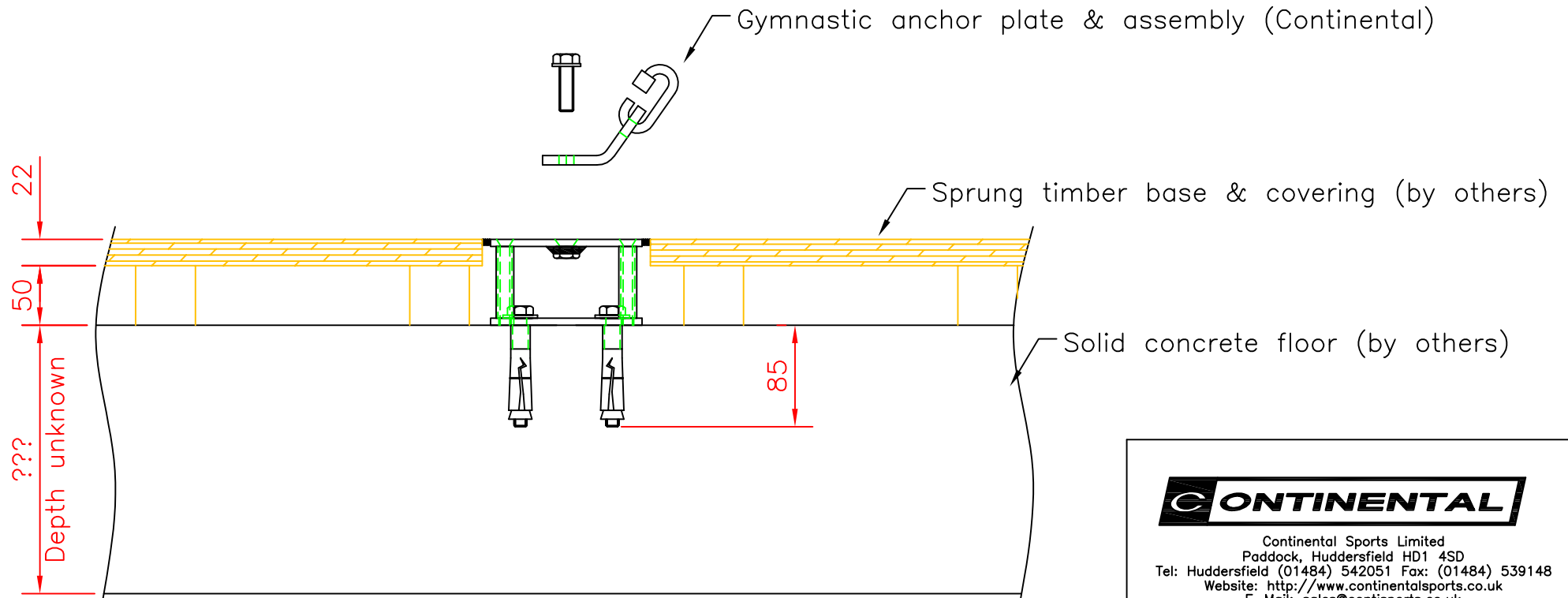
Continental Sports Limited
 Paddock, Huddersfield HD1 4SD
 Tel: Huddersfield (01484) 542051 Fax: (01484) 539148
 Website: <http://www.continentalports.co.uk>
 E-Mail: sales@contisports.co.uk

**SPRUNG FLOOR
 SOLID CONCRETE FLOOR
 GAMES POSTS**

scale	date	dr	rev
1:5	26/9/06	RC	

projection	dwg no
	FF-21

SPRUNG FLOOR (NO BUSHING COVERS) – SOLID CONCRETE FLOOR – GYMNASTIC FIXINGS (less than 50mm thk void)



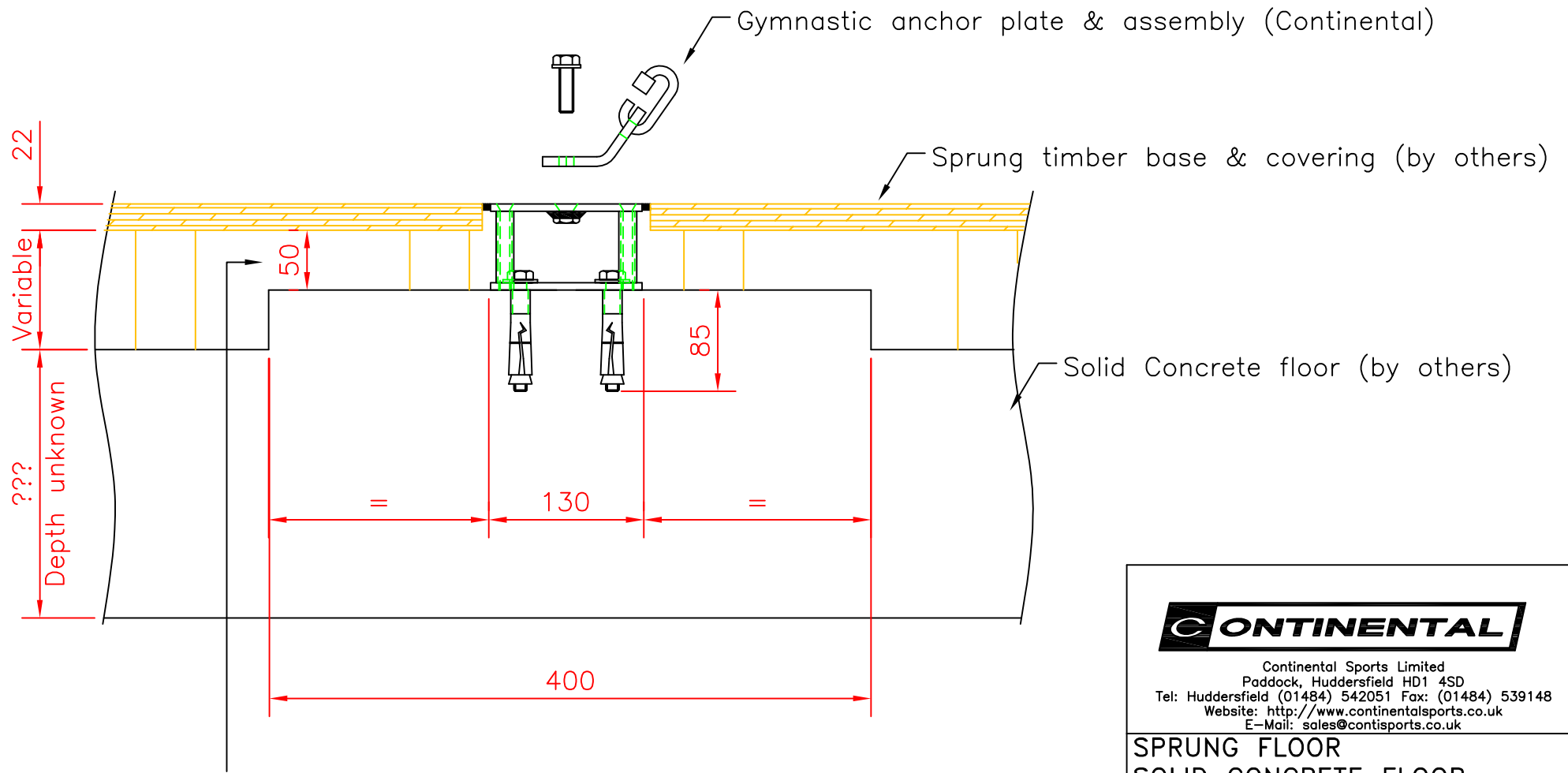
Continental Sports Limited
 Paddock, Huddersfield HD1 4SD
 Tel: Huddersfield (01484) 542051 Fax: (01484) 539148
 Website: <http://www.continentalports.co.uk>
 E-Mail: sales@contisports.co.uk

**SPRUNG FLOOR
 SOLID CONCRETE FLOOR
 GYMNASTIC FIXINGS**

scale	date	dr	rev
1:5	26/9/06	RC	

projection	dwg no
	FF-22

SPRUNG FLOOR (NO BUSHING COVERS) – SOLID CONCRETE FLOOR – GYMNASTIC FIXINGS (greater than 50mm thk void)



Concrete plinth to be cast in situ up to within 50mm of u/side of timber floor as shown (by others)

(Advisable dimension 400mm²)



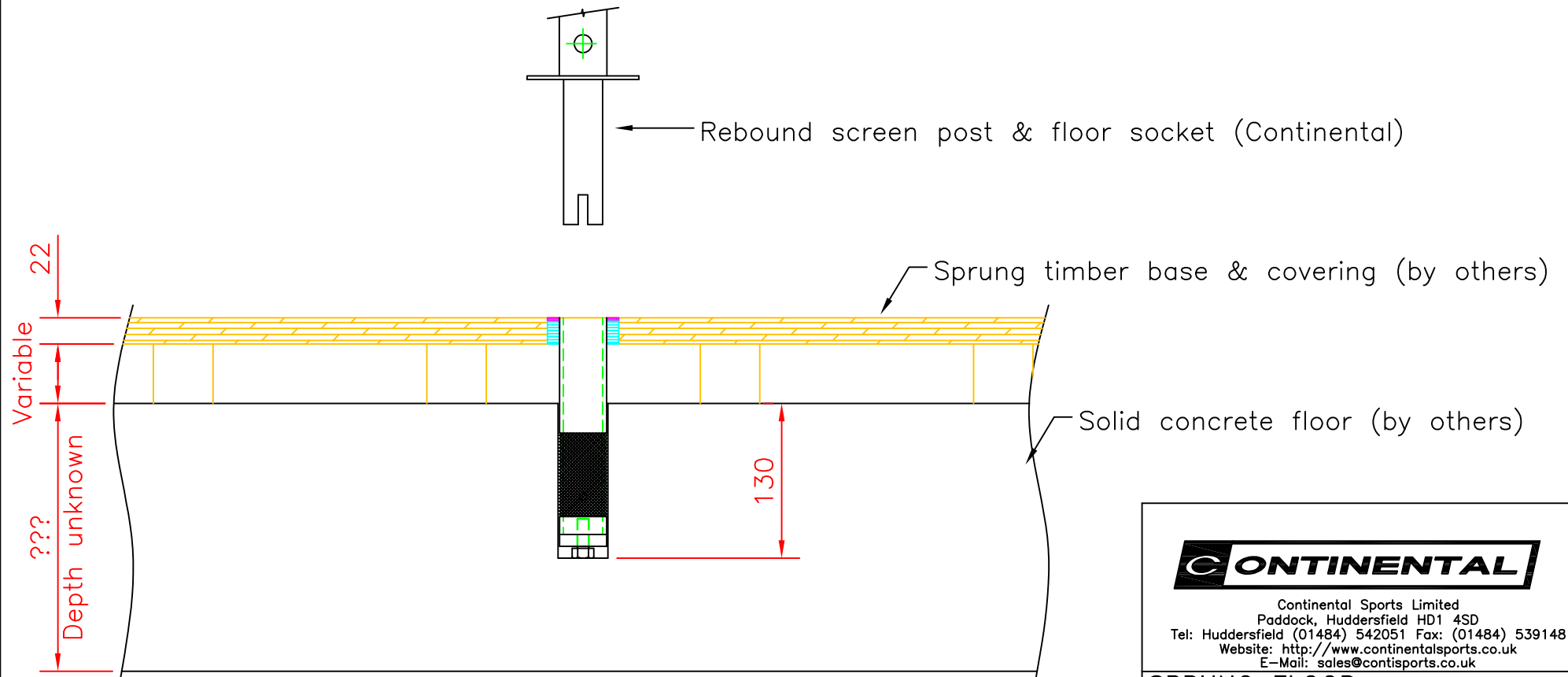
Continental Sports Limited
 Paddock, Huddersfield HD1 4SD
 Tel: Huddersfield (01484) 542051 Fax: (01484) 539148
 Website: <http://www.continentalports.co.uk>
 E-Mail: sales@contisports.co.uk

**SPRUNG FLOOR
 SOLID CONCRETE FLOOR
 GYMNASTIC FIXINGS**

scale	date	dr	rev
1:5	26/9/06	RC	

projection	dwg no
	FF-23

SPRUNG FLOOR (NO BUSHING COVERS) – SOLID CONCRETE FLOOR – REBOUND SCREEN SOCKETS



Continental Sports Limited
 Paddock, Huddersfield HD1 4SD
 Tel: Huddersfield (01484) 542051 Fax: (01484) 539148
 Website: <http://www.continentialsports.co.uk>
 E-Mail: sales@contisports.co.uk

**SPRUNG FLOOR
 SOLID CONCRETE FLOOR
 REBOUND SCREEN SOCKETS**

scale	date	dr	rev
1:5	26/9/06	RC	
projection	dwg no		
	FF-24		