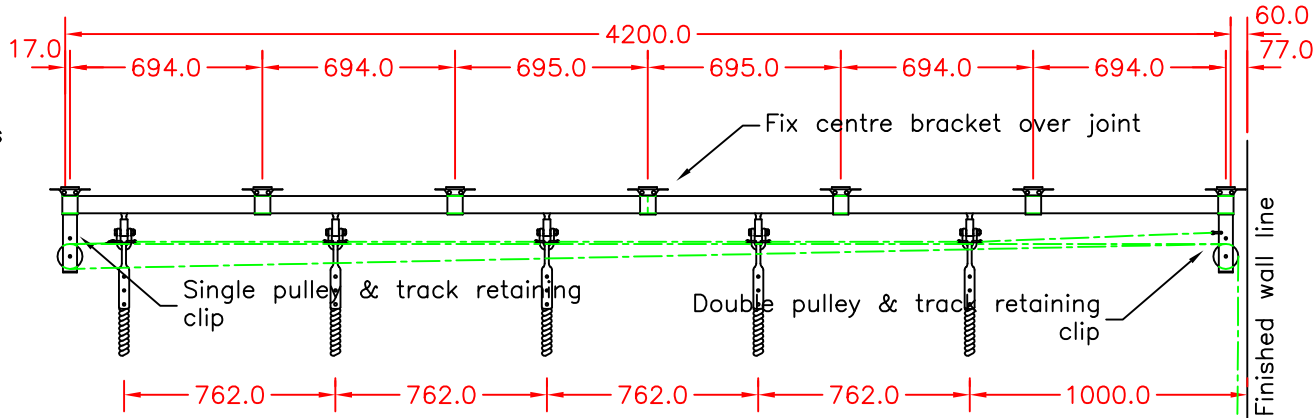


Details of ceiling height and construction should be sent to us along with your requirements with regard to number of ropes, ladders, rings etc.

In case of new buildings we have to place our brackets onto the supporting beam at an early date before any suspended ceiling panels are fitted.



CAPACITY 90kg (200lb) per rope hanger in accordance with B.S. 1892: Part 2 1972.

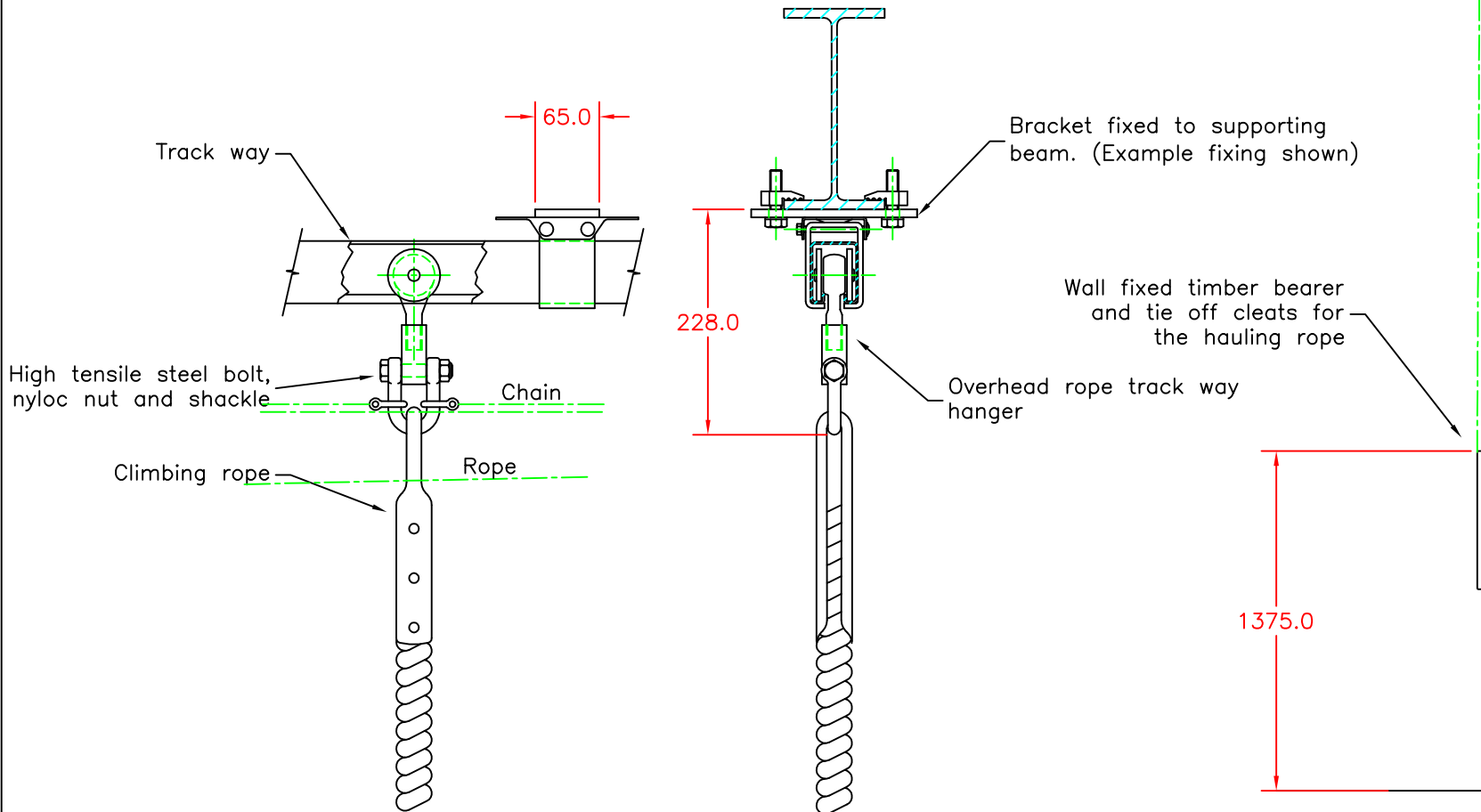
APPLICATION Overhead track way system for supporting vertical climbing ropes, rope ladders, rings, trapeze, linked rings in gymnasiums and sports halls where multiple ropes are required to move across a room from a convenient stacking position.

FIXING Soffit fixing is usual to adequate support beam. Bracket centres are no greater than 900mm. Hangers are usually spaced at 762mm centres to give up to five drops with connecting chain linking each.

TRACK Steel, galvanised to B.S. 2989: Standard length 2100mm.

BRACKETS Pressed steel formed and painted.

HANGERS Two steel wheels, malleable body ball bearing lubricated for life. Forged steel shackle, body painted.



D: TJH CSP2-1450 31/10/00. RE DRAWN ON CAD WITH MINOR CHANGES



Tel:Huddersfield(01484)542051 Fax:(01484)539148

OVERHEAD ROPE TRACK WAY DETAILS

scale	date	dr	rev
1:20 & 1:5	31/10/00	T.J.H.	D

dwg no SH/03