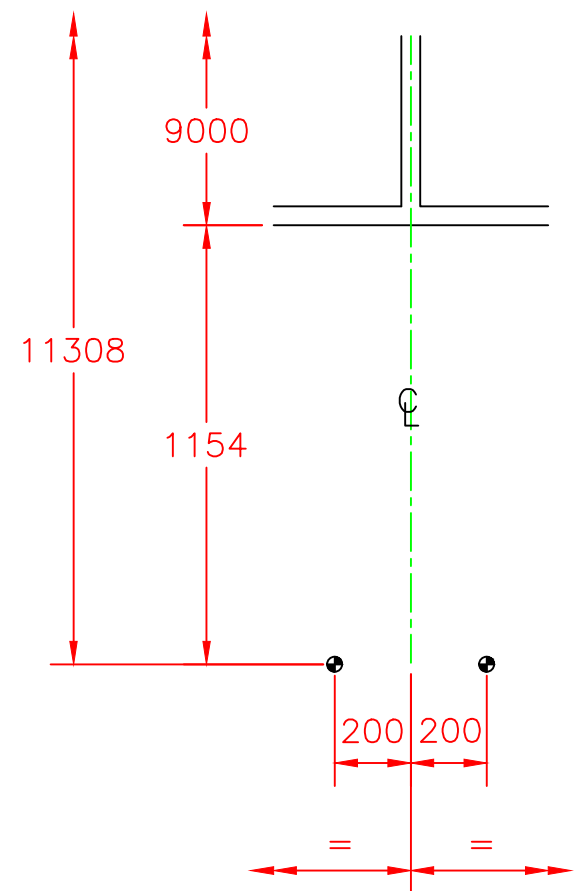


MATCH MODEL  
 VOLLEYBALL POSTS  
 (SCALE 1:20)



4no ANCHOR POINTS REQ'D

NOTE

IF POSTS ARE FIXED THROUGH A SPRUNG FLOOR THEN 4no ACCESS COVERS WILL NEED TO BE INSTALLED BY OTHERS PRIOR TO INSTALLATION

C: CR, 21/02/24. CSP2-2535. INTERNATIONAL TAKEN OUT OF THE TITLE AND CHANGED TO MATCH .  
 B: PJ, 07/02/13 CSP2-2305. COURT MARKING DIMS OMITTED.  
 A: JC, 11/06/07 CSP2-2149. FLOOR ANCHOR LOCATIONS MADE MORE CLEAR. 750MM POST DIMENSION REMOVED.



Tel:Huddersfield(01484)542051 Fax:(01484)539148

FLOOR SOCKET LOCATIONS FOR  
 MATCH MODEL VOLLEYBALL  
 POSTS

scale	date	dr	rev
1:100	25/08/05	IW	C

dwg no  
**CM-12**