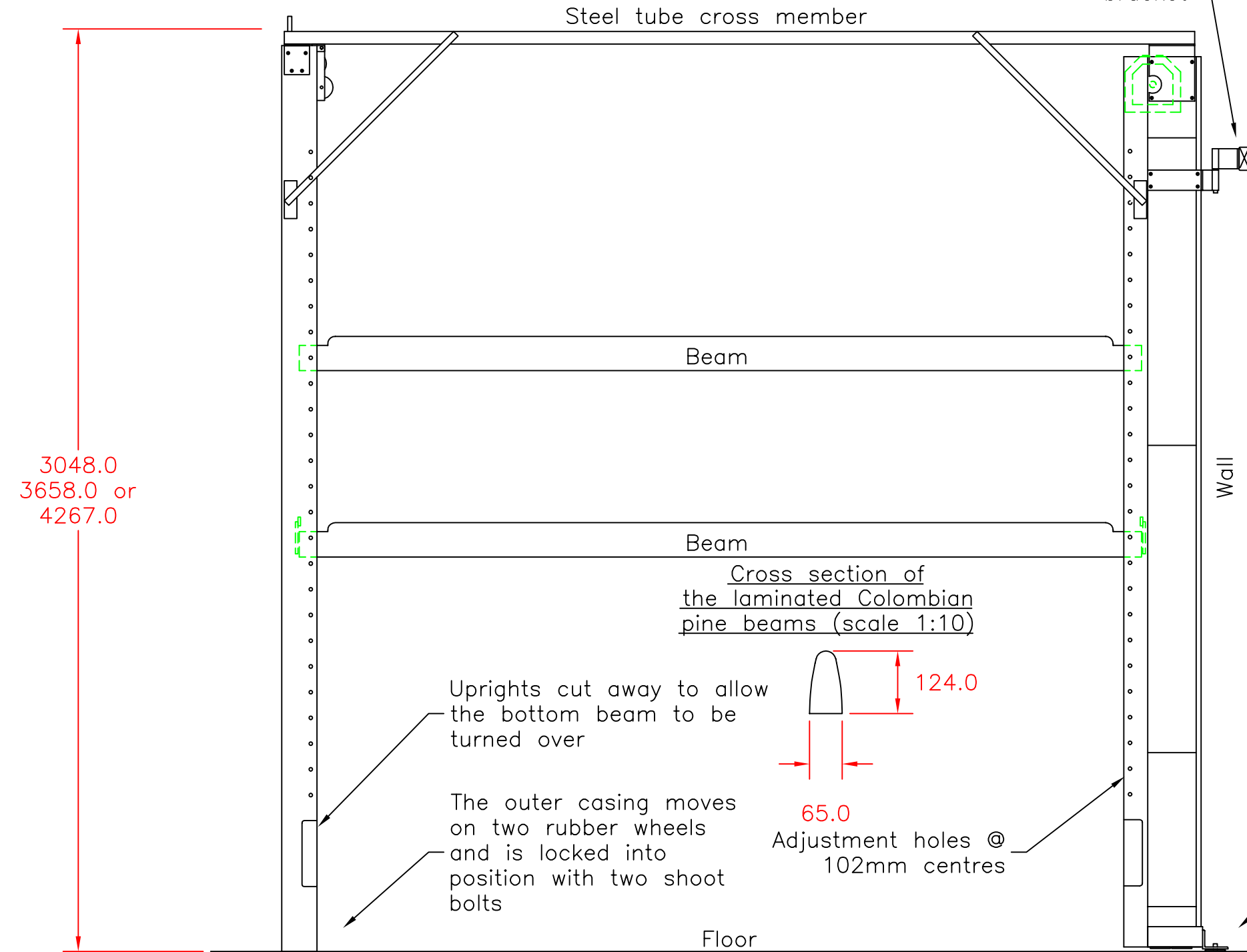
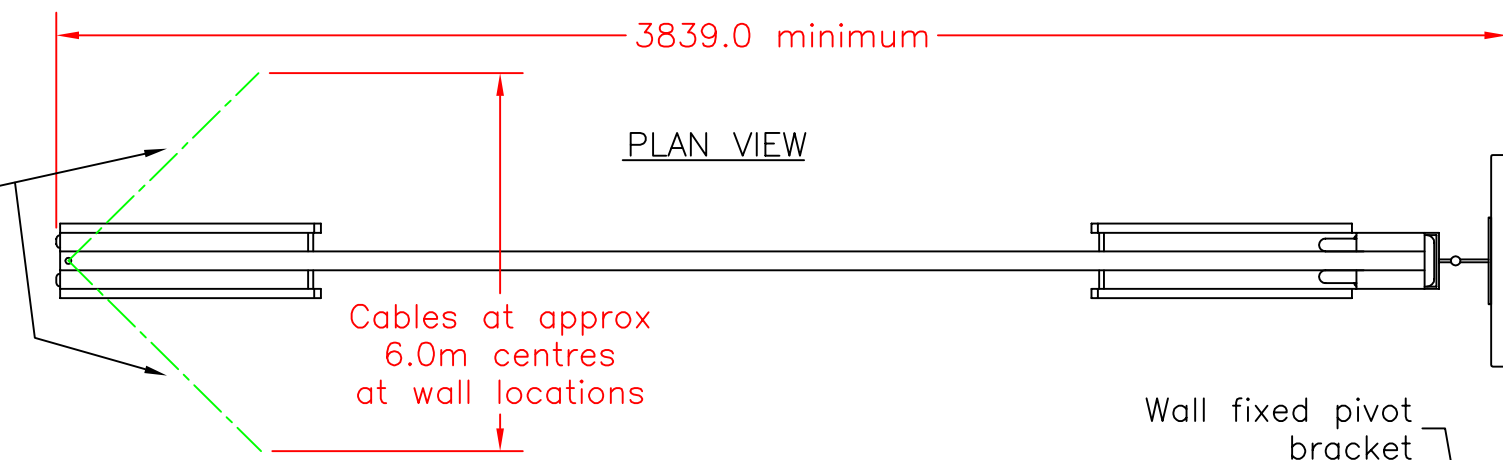
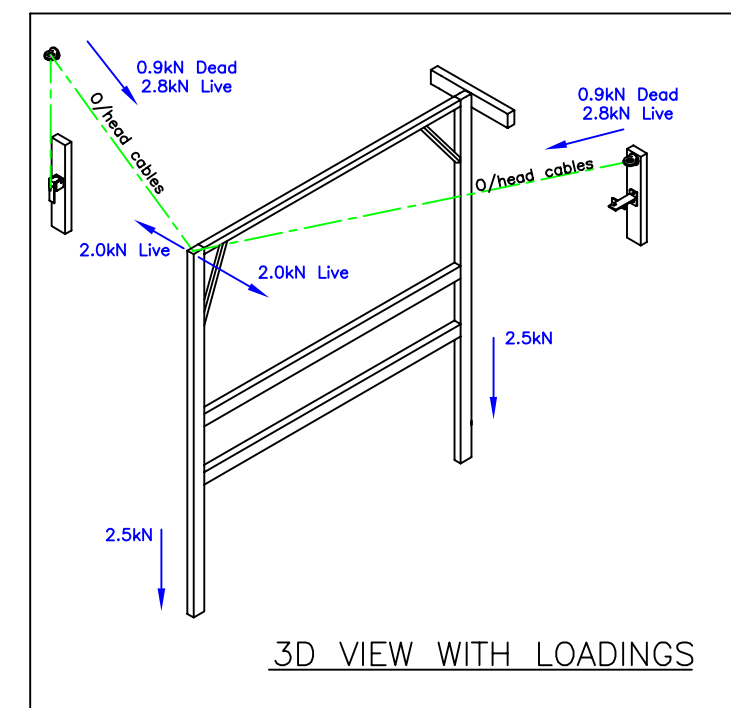


Tension wire running back to a single pulley mounted on the wall.  
 From the pulley the cable passes to a tension clamp 1.375m above the floor. By operating the clamp, the unit is locked in position or when released the frame can be folded back to the wall for storage.



**SPECIFICATION**  
 Standard heights: 3.048m, 3.658m, 4.267m.  
 Standard width is 3.658m.  
 Hinged single/double beams are fitted where an overhead support is not possible. Supplied with two counterbalanced laminated timber beams all as included in the standard unit but has the advantage that the whole of the unit including the beams fold flat against the wall.  
 Beams are manufactured in accordance with BS 1892: part 2: section 2.1: 1972. The uprights are manufactured from parana and Colombian pine.

**STRUCTURAL REQUIREMENTS**  
 A wall space of 3.962m is required, but we can overcome any problems caused by radiators or windows within this area. At least 150mm above the required height of the unit is necessary. The wall fixed pivot bracket is located within the upper section of the casing. At the bottom of the unit a pivot bracket is fixed onto the floor.



C: RC CSP2-2382 4/11/14. LOADING INFORMATION ADDED TO DRAWING.  
 B: TJH, 12/12/02, CSP2-1667. MINOR UPDATED CHANGES TO BE PICTORIALY CORRECT.  
 A: TJH, 22/01/01, CSP2-1477. REDRAWN ON C.A.D. WITH MINOR UPDATED CHANGES.



Tel:Huddersfield(01484)542051 Fax:(01484)539148

**GYMNASIUM, WALL HINGED SINGLE/DOUBLE BEAM ARRANGEMENT.**

scale	date	dr	rev
1:20 & 1:10	22/01/01	T.J.H.	C

dwg no **SH-17**