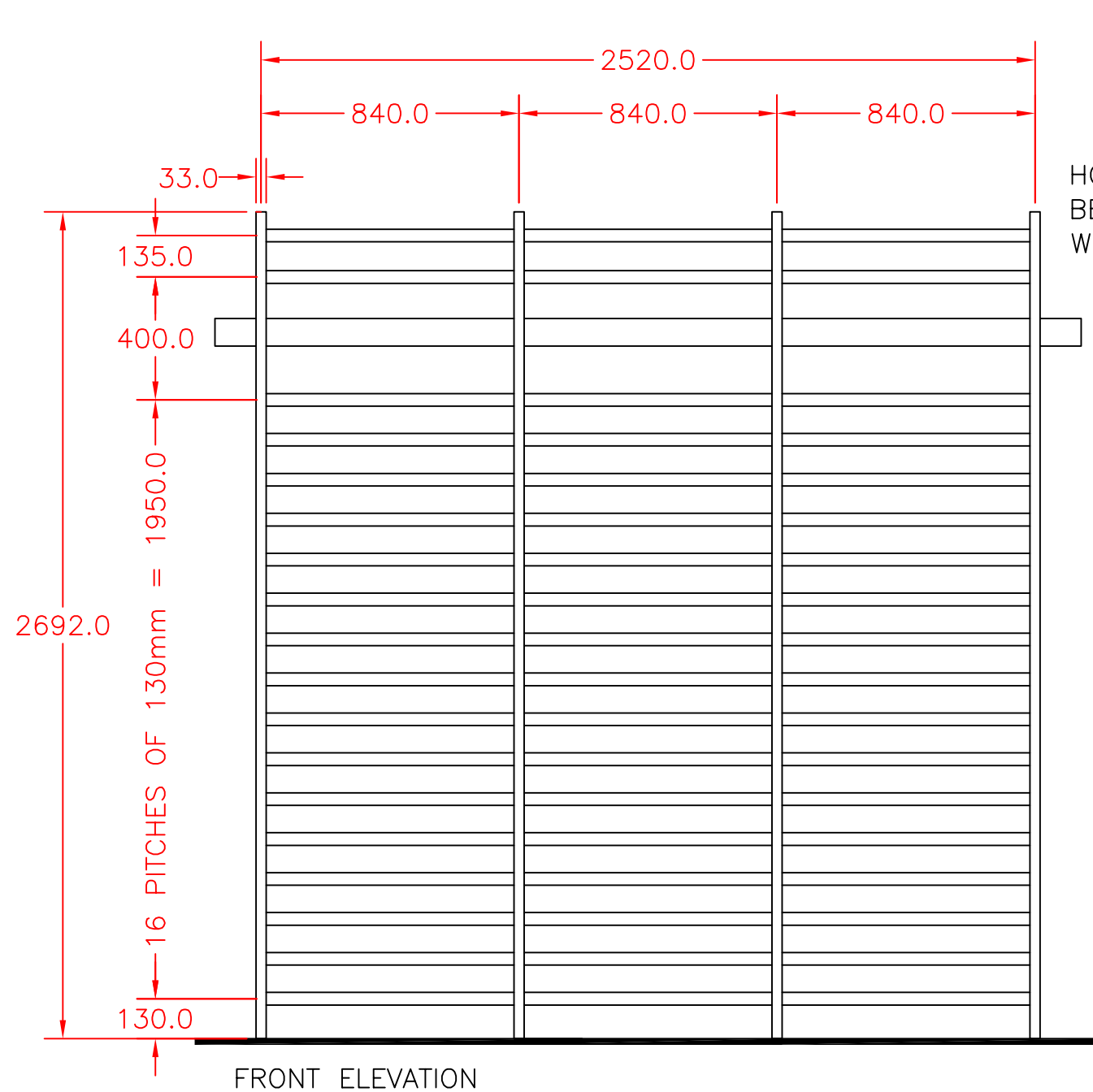


NOTE  
 WALL BARS ARE FLOOR AND  
 WALL FIXED (SEE DRAWING No WB-16  
 FOR DETAILS)

18 No FULL LENGTH HORIZONTAL RAILS 2553mm LONG

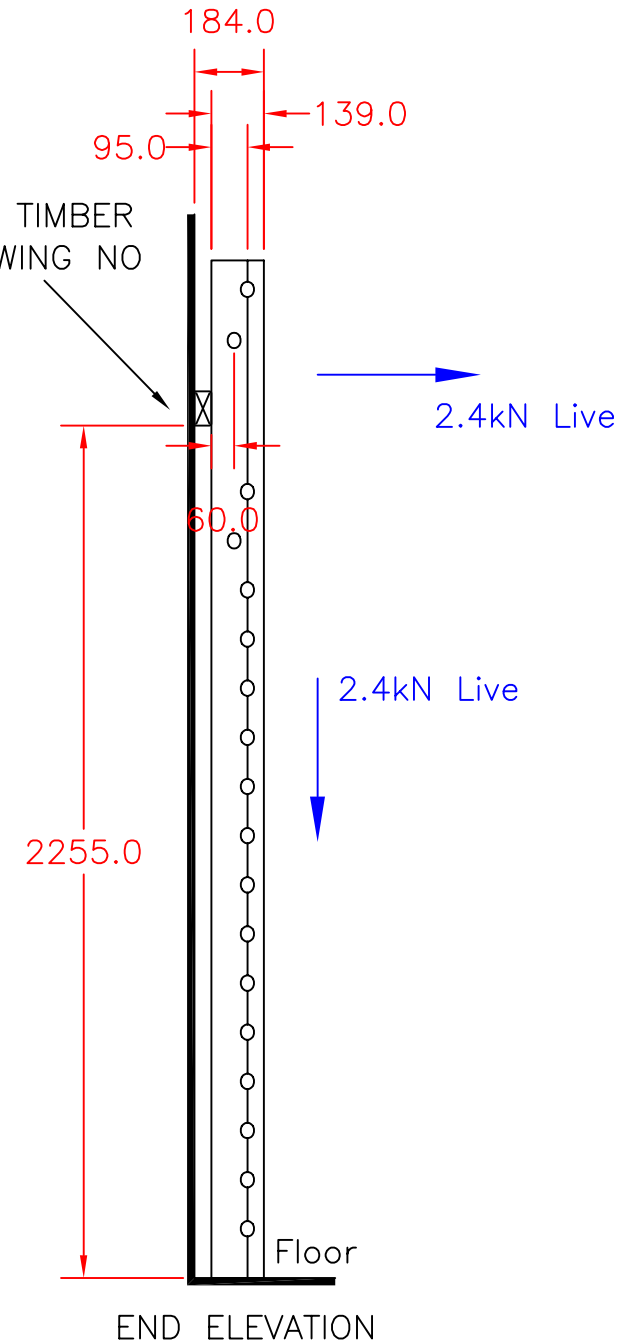
No VERTICAL STILES AND COVER LATHS, SEE DRAWING No WB-02 FOR DETAILS



FRONT ELEVATION

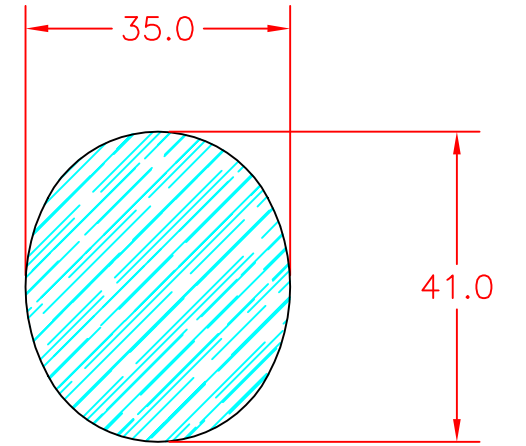
THE WALLBARS ARE MADE TO B.S 1892  
 PART 1 1986

HORIZONTAL FIXED TIMBER  
 BEARER (SEE DRAWING NO  
 WB-17)



END ELEVATION

SECTION THRO' HORIZONTAL  
 RAIL  
 Parana pine  
 Scale 1:1



D: RC CSP2-2382 4/11/14. LOADING INFORMATION ADDED TO DRAWING.  
 C: TJH, 27/08/03, CSP2-1757. STILE AND COVER LATH  
 DRAWING REFERENCE INCORRECTLY REFERRED TO WB-01.  
 B: NGK CSP2 1624 02/09/02 REDRAWN ON CAD



Continental Sports Limited  
 Paddock, Huddersfield HD1 4SD  
 Tel: Huddersfield (01484) 542051 Fax: (01484) 539148  
 Website: <http://www.contisports.co.uk>  
 E-Mail: [sales@contisports.co.uk](mailto:sales@contisports.co.uk)

THREE BAY - FIXED WALLBARS  
 GENERAL ARRANGEMENT

scale	date	dr	rev
1:20	26/7/02	NGK	D
projection	dwg no		
	WB-12		

Tolerances as detailed on SPE001  
 unless noted on the dimension.  
 ALL DIMENSIONS ARE GIVEN IN  
 MILLIMETRES.  
 DO NOT SCALE OFF DRAWING.