



**The UK market leaders in the manufacture,  
supply and installation of  
Sports Hall Equipment**

**Specialists in:**

# **S P O R T S H A L L I N S T A L L A T I O N S**



Continental Sports Limited  
Paddock, Huddersfield, West Yorkshire, England, HD1 4SD  
Tel: (01484) 542051 Fax: (01484) 539148  
E-mail: [sales@contisports.co.uk](mailto:sales@contisports.co.uk) Web: [www.continentalsports.co.uk](http://www.continentalsports.co.uk)  
Company Registration Number: 830200



## *COMPANY PROFILE*

Continental Sports Ltd. is the UK's leading manufacturer and installer of Sports Hall equipment.

Formed 40 years ago, we employ 100 people in the design, manufacture, installation and maintenance of products for **sports halls, changing rooms, physical education, trampolining and gymnastics.**

We have successfully designed, manufactured and installed a large number of Sports Hall projects both in the UK and overseas and have developed a wealth of knowledge and expertise in the subject.

If you wish us to help with the design of the Sports Hall, we are confident that our Drawing Office technicians can offer the most efficient and cost effective layout. We can also advise on and provide a suitable range of best-value products.

As the country's leading sports hall and gymnasium maintenance provider, Continental has contracts with many local authorities throughout the UK. Our experienced and certified maintenance and installation technicians provide nationwide service support. They are backed up by large stocks of spare parts for both our own and other suppliers' products, and the bespoke fabrication capabilities of our UK manufacturing facility. We also offer the same level of support for individual maintenance orders.

We are an ISO-9001:2000 accredited company and we successfully retain our number one position in the industry by offering benchmark quality products and services at very competitive prices.

**CONTINENTAL SPORTS HALL INSTALLATIONS INCLUDE:**

St Machar Academy	Aberdeen	The Crypt School	Grimsby
University of Wales	Aberystwyth	Cambridge School	Guernsey
Cabot Sports Centre	Avon	Elizabeth College	Hampshire
Parish Wharf Leisure Centre	Avon	Alexandra Barracks	Hampshire
Broadmoor Hospital	Berkshire	Havant College	Hampshire
Windsor Leisure Centre	Berkshire	Littledown Centre	Hampshire
HMP Winson Green	Birmingham	Noadswood School	Hampshire
The Bluecoat School	Birmingham	Peter Symonds College	Hampshire
Warley High School	Birmingham	The Cantrell School	Hampshire
Shenley Secondary School	Buckinghamshire	The Clere School	Hampshire
Bottisham Village College	Cambridgeshire	Prince Henrys School	Hereford
Impington Village College	Cambridgeshire	Bushey Grove	Hertfordshire
Kings School	Cambridgeshire	Dr Challoners High School	Hertfordshire
The Leys School	Cambridgeshire	John Warner School	Hertfordshire
Wisbech Grammar School	Cambridgeshire	Royal Masonic School	Hertfordshire
St Davids College	Cardiff	Sir John Lawes School	Hertfordshire
Duchy Centre	Cornwall	Wodson Park Centre	Hertfordshire
Fowey College	Cornwall	Isle of Wight Cricket Academy	Isle of Wight
Wadebridge School	Cornwall	Langford Sports Centre	Jersey
Cowdenbeath Leisure Centre	Cowdenbeath	St Annes School	Jersey
Dallam School	Cumbria	Bennett Memorial School	Kent
Queen Elizabeth Grammar School	Cumbria	Chapter School	Kent
West Cumbria College	Cumbria	Homewood School	Kent
RAF Sealand	Deeside	Kings School	Kent
Bolsover School	Derbyshire	Metropolitan Police Training	Kent
Pingle School	Derbyshire	Ramsgate Sports Centre	Kent
Royal Marines	Devon	Sevenoaks Prep School	Kent
South Dartmoor School	Devon	Accrington Moorhead School	Lancashire
Budmouth College	Dorset	Blackpool Collegiate High School	Lancashire
Colfox School	Dorset	Bolton Lads & Girls School	Lancashire
Kemp Welch Leisure Centre	Dorset	Bury Grammar School	Lancashire
Woodroffe School	Dudley	Fleetwood High School	Lancashire
Cradley High School	Dudley	Morecambe High School	Lancashire
Dormston School	Dumfriesshire	Oakwood High School	Lancashire
Eskdale Sports Academy	Dundee	Oldham Sports Centre	Lancashire
Maryfield International Stadium	Durham	St Martins College	Lancashire
Shotton Hall School	Durham	Todmorden Leisure Centre	Lancashire
Wingate Wellfield School	Dyfed	Westwood Millennium Centre	Leicestershire
Llanelli Leisure Centre	Edinburgh	Kibworth High School	Leicestershire
Fettes College	Edinburgh	Robert Smyth School	Leicestershire
Mary Erskine School	Essex	Wygggeston & Queen Elizabeth	Lincolnshire
Gosfield School	Essex	Kesteven & Sleaford H S	Lincolnshire
Marshalls Park School	Essex	Skegness Grammar School	Lincolnshire
Southend Leisure Centre	Falkirk	The Meres Leisure Centre	London
Grangemouth Athletic Stadium	Fife	Capital City Academy	London
Dalgety Bay Centre	Glasgow	Douay Martyrs School	London
All Saints School	Glasgow	Dulwich College	London
Bearsden Academy	Glasgow	Ealing Tertiary College	London
Hillhead School	Glasgow	Graveney School	London
Holyrood School	Glasgow	Highgate School	London
Lenzie Academy	Glasgow	Jews Free School	London
Palace of Arts	Glasgow	Streatham & Clapham H S	London
Scotstown Leisure Centre	Glasgow	Talacre Community Centre	London
St Andrews School	Gloucestershire	The American School	London
Archway School	Gloucestershire	Tiffin School	London
Gloucester Leisure Centre	Gloucestershire	Wandsworth Boys School	Manchester
Prince Henrys School	Gloucestershire	Albion School, Salford	Manchester

Belle Vue Athletics	Manchester	Warwick School	Warwickshire
Burnage High School	Manchester	Chichester High School	West Sussex
Crompton House School	Manchester	Devizes School	Wiltshire
Parklands High School	Manchester	Marlborough College	Wiltshire
Plant Hill	Manchester	Chantry High School	Worcestershire
Stockport Grammar School	Manchester	University College	Worcestershire
West Hill School	Manchester	Bryn Alyn High School	Wrexham
Whalley Range	Manchester	Catrafle College	Wrexham
Belvedere School	Merseyside	Barnsley Metrodome	Yorkshire
Cardinal Heenan High School	Merseyside	Boroughbridge High School	Yorkshire
Whitby High School	Merseyside	Boston Spa School	Yorkshire
Wirral Grammar School	Merseyside	Bradford Girls Grammar School	Yorkshire
Rhydyar Leisure Centre	Merthyr Tydfil	Bridlington Headlands School	Yorkshire
Monmouth School	Monmouth	Bridlington High School	Yorkshire
Attleborough School	Norfolk	Carlton Bolling School	Yorkshire
Norwich High School	Norfolk	Endeavour School, Hull	Yorkshire
The Parks Leisure Centre	North Shields	Gateway High School	Yorkshire
Nene College	Northamptonshire	HMP Doncaster	Yorkshire
Northgate School	Northamptonshire	Immanuel College	Yorkshire
The Ferrers School	Northamptonshire	King James School	Yorkshire
Bishop Stopford School	Northamptonshire	Lawnswood School	Yorkshire
HMP Wellingborough	Northamptonshire	Leeds Grammar School	Yorkshire
Queen Elizabeth School	Northamptonshire	Marne Barracks	Yorkshire
Cramlington School	Northumberland	Priory Sports College	Yorkshire
Darland High School	Northumberland	Scarborough 6th Form College	Yorkshire
King Edward VI School	Northumberland	Sheffield Girls High School	Yorkshire
Manor School	Nottinghamshire	St Johns College, York	Yorkshire
Magdalen College	Oxfordshire	St Marys College, Hull	Yorkshire
Oakham School	Rutland	The Ridings School	Yorkshire
Wincanton Community School	Somerset	Uniack Barracks	Yorkshire
Bedstone College	Shropshire	Woodhouse Grove	Yorkshire
Thomas Telford School	Shropshire		
Solihull College	Solihull	<b>Overseas</b>	
Biddulph Valley Centre	Staffordshire	The British School	Armenia
Denstone College	Staffordshire	Kotebe Teachers Centre	Ethiopia
Fenton Manor Centre	Staffordshire	The Islamic College	Jordan
Old Swinford Hospital	Staffordshire	The Sultans School	Oman
Sir Graham Balfour School	Staffordshire	Elf Oil Refinery	Nigeria
Stafford Grammar School	Staffordshire	Dubai High School	United Arab Emirates
Aquinas College	Stockport		
Kesgrave High School	Suffolk		
St Georges College	Suffolk		
Dorking Sports Centre	Surrey		
Dunottar School	Surrey		
Arundel School	Sussex		
Brighton & Hove School	Sussex		
Burgess Hill Leisure Centre	Sussex		
Christ's Hospital School	Sussex		
Dolphin Leisure Centre	Sussex		
Westergate Leisure Centre	Sussex		
Arthur Terry School	Sutton Coldfield		
Pontardawe School	Swansea		
Eston Sports Academy	Tyne & Wear		
Gosforth High School	Tyne & Wear		
Sunderland High School	Tyne & Wear		
Westerhope School	Tyne & Wear		
George Elliot School	Warwickshire		
Higham Lane School	Warwickshire		
HMP Rye Hill	Warwickshire		

## What we need to provide a definitive quotation:

### Steelwork drawings

- Main layout or roof section showing beams, columns and purlin sizes, also pitch of roof beams.

### Architect drawings

- Main ground and first floor layout plans showing room / hall sizes.
- Section through side and end walls from floor to roof showing types of wall construction (cladding etc.) plus floor type and heights of beams at eaves and apex.
- Main lighting and heating drawings showing positions and height above finished floor level.

Please send to Continental Sports Limited, marked for the attention of Sean McLoughlin, Business Development Manager.

### Index of drawings included in this information pack:-

*(Each of these drawings is available on our website in a format readable by Autocad – see the specifiers section of [www.continentalsports.co.uk](http://www.continentalsports.co.uk) for more information.)*

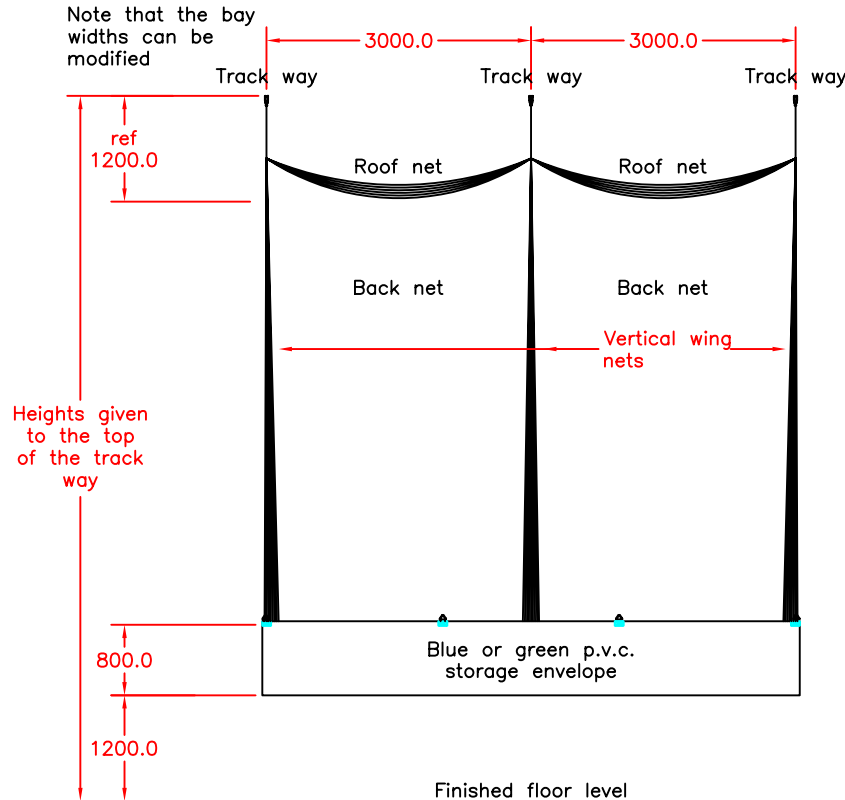
sh/01	Sports hall division netting and trackway
sh/02	Overhead retractable basketball goals
sh/03	Overhead trackway
sh/04	Overhead retractable basketball goals
sh/05	Overhead spotting rig
sh/06	Circuit diagram, electric winch retractable basketball goals
sh/07	Control box, electric winch retractable basketball goals
sh/08	Wall hinged retractable basketball goals
sh/09	Rebound screens
sh/10	Trackway suspended basketball goals
sh/11	Tennis posts
sh/12	International volleyball posts
sh/13	Overhead spotting rig (pitched roof)
274/04	Floorplate installation – gymnastic equipment
274/05	Tennis and volleyball post floorplates
461/01	Hockey sideboards
CM/01	Badminton court layout
CM/02	Basketball court layout
CM/03	5-a-side football court layout
CM/04	Indoor hockey court layout
CM/05	Netball court layout
CM/06	Tennis court layout
CM/07	Volleyball court layout
CM/08	Handball court layout
CM/09	Cricket marking

Weights of track way and netting

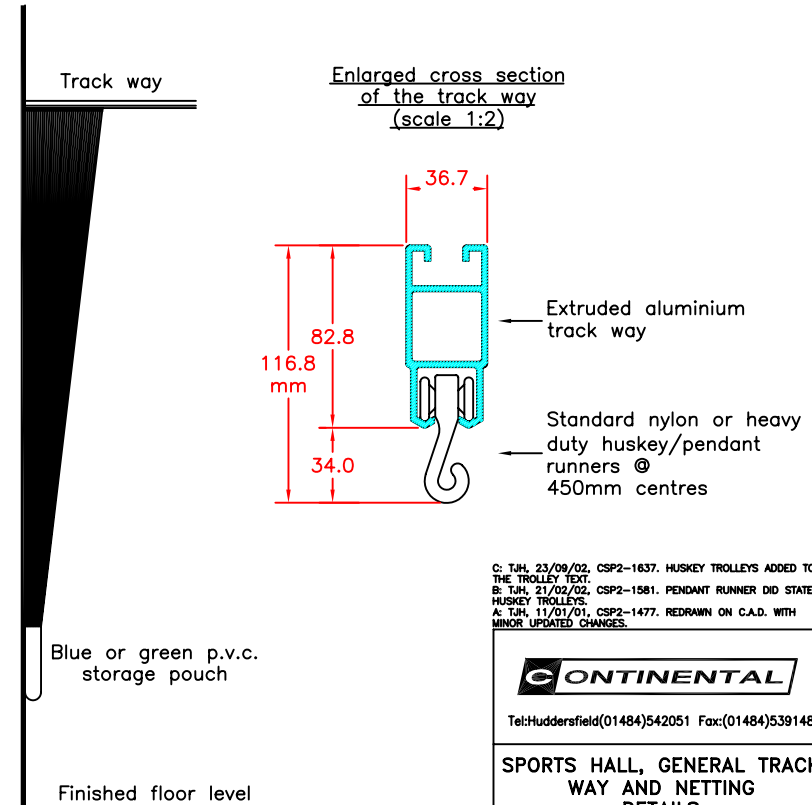
Track way	1.80 kg:metre
Cricket/division 50mm sq	0.83 kg:10sq metres
Special division 45mm sq	0.96 kg:10sq metres
Golf 19mm sq	1.80 kg:10sq metres
Golf 25mm sq	1.20 kg:10sq metres
Archery	2.44 kg:10sq metres
White cotton canvas	3.40 kg:10sq metres
Green cotton canvas	4.10 kg:10sq metres

Notes

Our standard netting supplied has a melting point of 215°C.  
 If flame retardant to BS5867: PART 2, TYPE 'A' netting is required, this has a melting point of 215°C, and will not support flame.  
 Colour options available: White, Green, Blue and Red.



CRICKET/GOLF/ARCHERY BAY DETAILS



DIVIDER NET DETAILS

C: T.J.H. 23/09/02. CSP2-1637. HUSKEY TROLLEYS ADDED TO THE TROLLEY TEXT.  
 B: T.J.H. 21/02/02. CSP2-1581. PENDANT RUNNER DID STATE HUSKEY TROLLEYS.  
 A: T.J.H. 11/01/01. CSP2-1477. REDRAWN ON C.A.D. WITH MINOR UPDATED CHANGES.

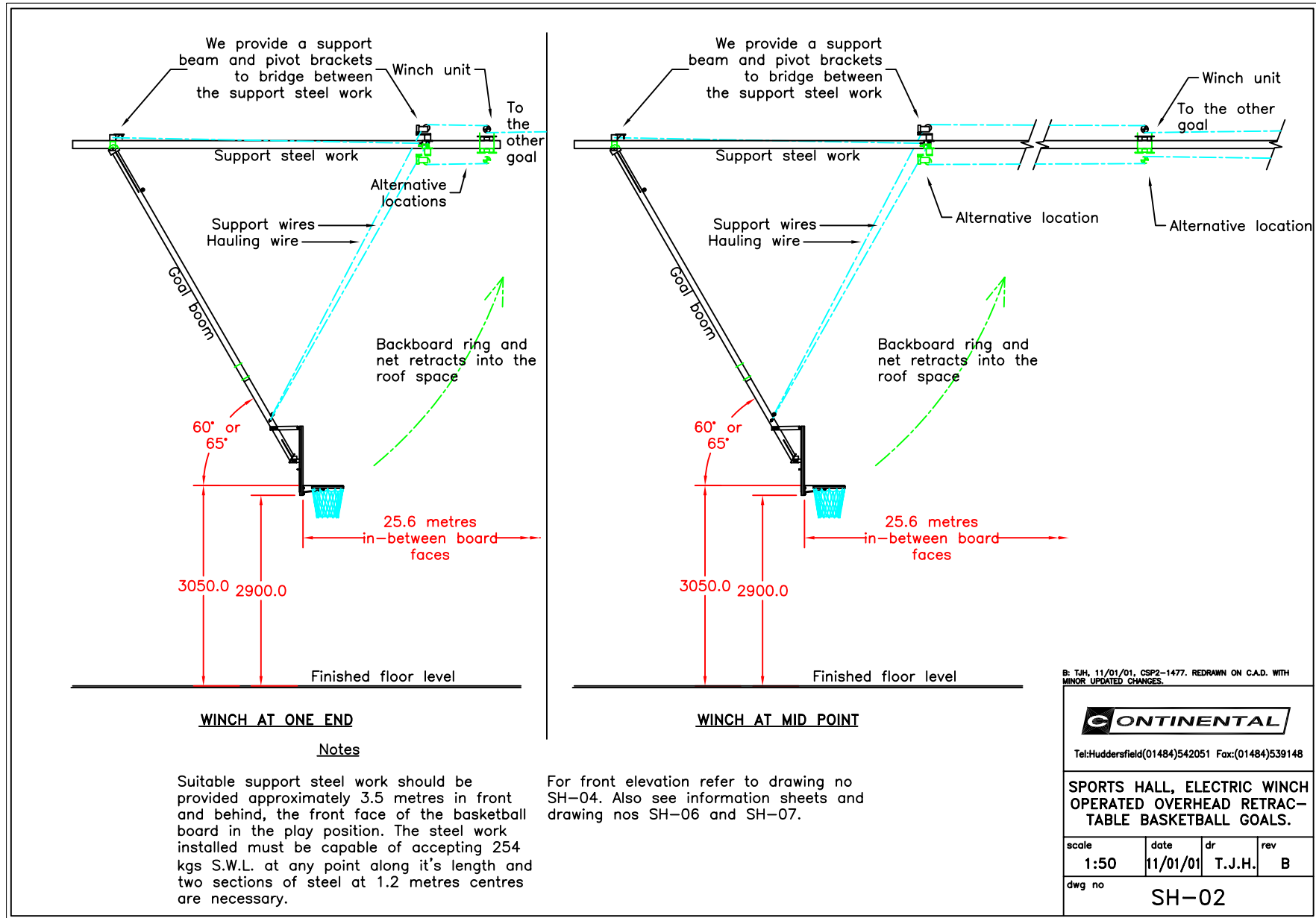


Tel:Huddersfield(01484)542051 Fax:(01484)539148

**SPORTS HALL, GENERAL TRACK WAY AND NETTING DETAILS**

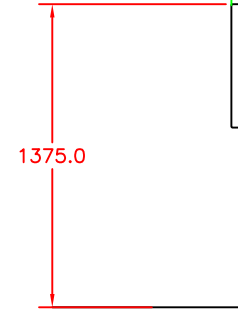
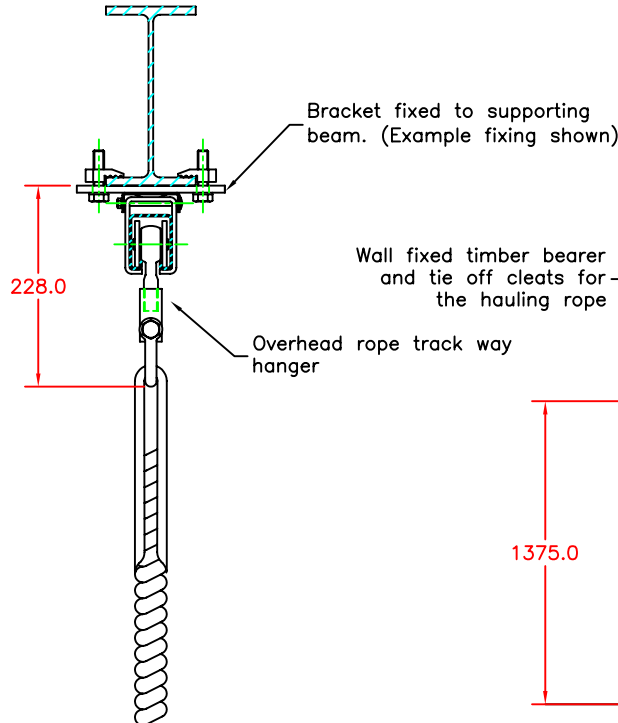
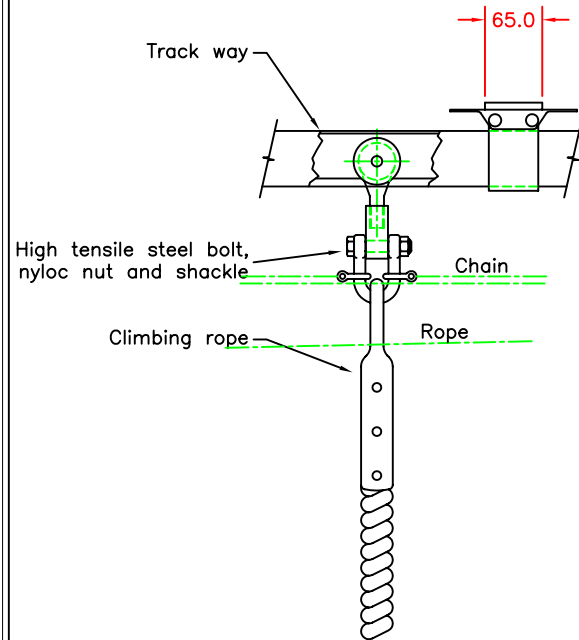
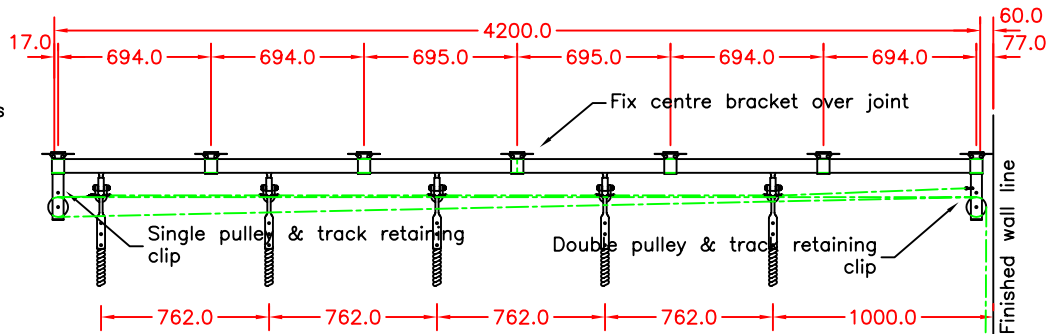
scale	date	dr	rev
1:50 & 1:2	11/01/01	T.J.H.	C

dwg no SH-01



Details of ceiling height and construction should be sent to us along with your requirements with regard to number of ropes, ladders, rings etc.

In case of new buildings we have to place our brackets onto the supporting beam at an early date before any suspended ceiling panels are fitted.



CAPACITY 90kg (200lb) per rope hanger in accordance with B.S. 1892: Part 2 1972.

APPLICATION Overhead track way system for supporting vertical climbing ropes, rope ladders, rings, trapeze, linked rings in gymnasiums and sports halls where multiple ropes are required to move across a room from a convenient stacking position.

FIXING Soffit fixing is usual to adequate support beam. Bracket centres are no greater than 900mm. Hangers are usually spaced at 762mm centres to give up to five drops with connecting chain linking each.

TRACK Steel, galvanised to B.S. 2989: Standard length 2100mm.

BRACKETS Pressed steel formed and painted.

HANGERS Two steel wheels, malleable body ball bearing lubricated for life. Forged steel shackle, body painted.

D: T.J.H CSP2-1450 31/10/00. RE DRAWN ON CAD WITH MINOR CHANGES

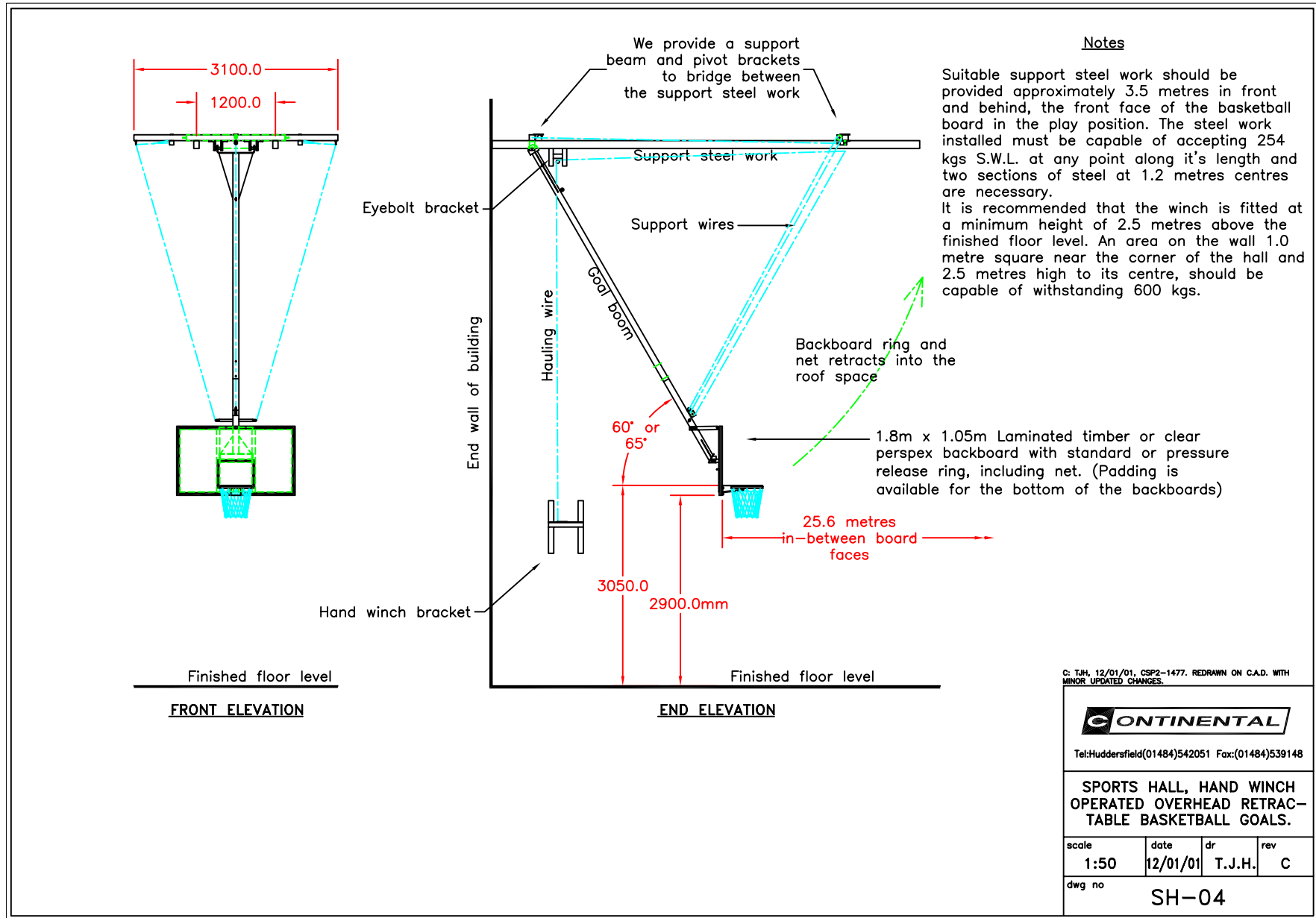


Tel:Huddersfield(01484)542051 Fax:(01484)539148

**OVERHEAD ROPE TRACK WAY DETAILS**

scale	date	dr	rev
1:20 & 1:5	31/10/00	T.J.H.	D

dwg no SH/03



C: T.J.H. 12/01/01, CSP2-1477. REDRAWN ON C.A.D. WITH MINOR UPDATED CHANGES.



Tel:Huddersfield(01484)542051 Fax:(01484)539148

**SPORTS HALL, HAND WINCH OPERATED OVERHEAD RETRACTABLE BASKETBALL GOALS.**

scale	date	dr	rev
1:50	12/01/01	T.J.H.	C

dwg no  
**SH-04**

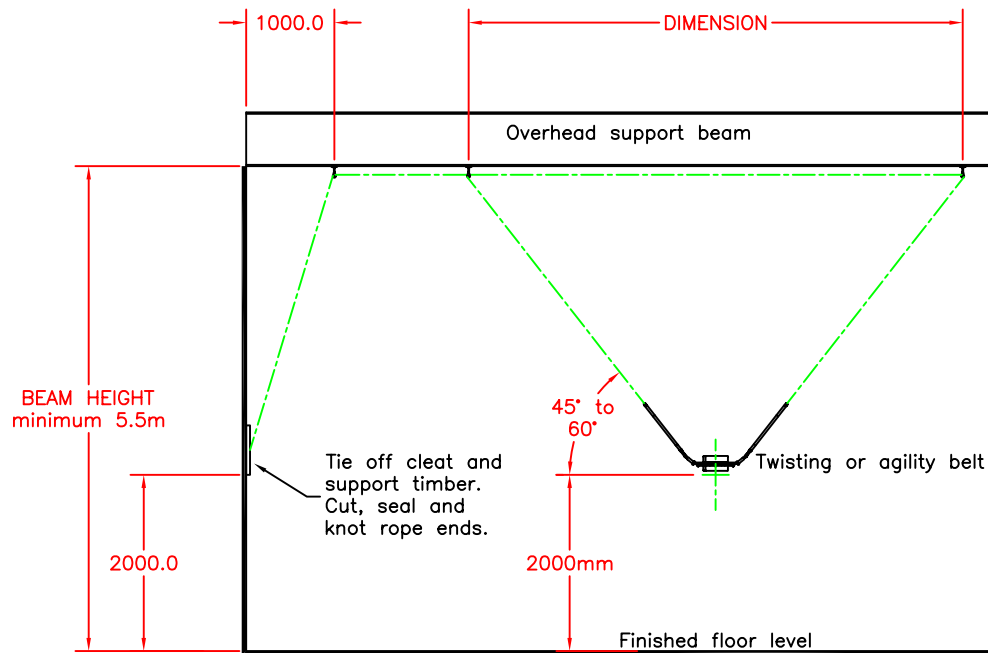
Notes

BEAM HEIGHT	MINIMUM DIM	MAXIMUM DIM
5500mm	4050mm	7000mm
6000mm	4620mm	8000mm
7000mm	5775mm	10000mm

The beam supporting the trampoline spotting rig brackets should be able to accept 305 kgs load with an additional safety factor over this figure.

Construction details of the support beam are requested to be sent together with the height to the underside to the finished floor level.

See additional leaflet: Using the overhead spotting rig.



C: T.J.H. 12/01/01, CSP2-1477. REDRAWN ON C.A.D. WITH MINOR UPDATED CHANGES.

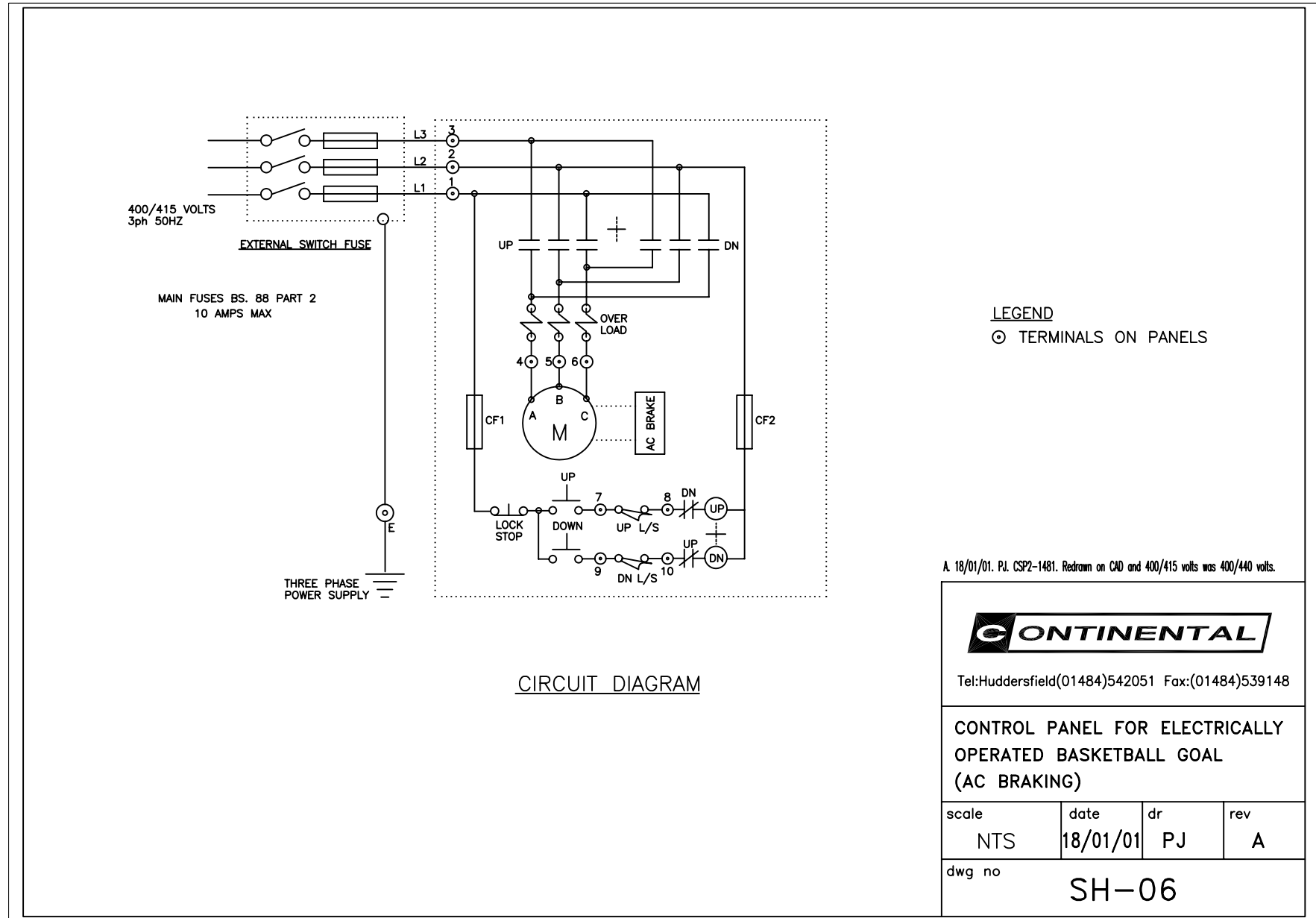


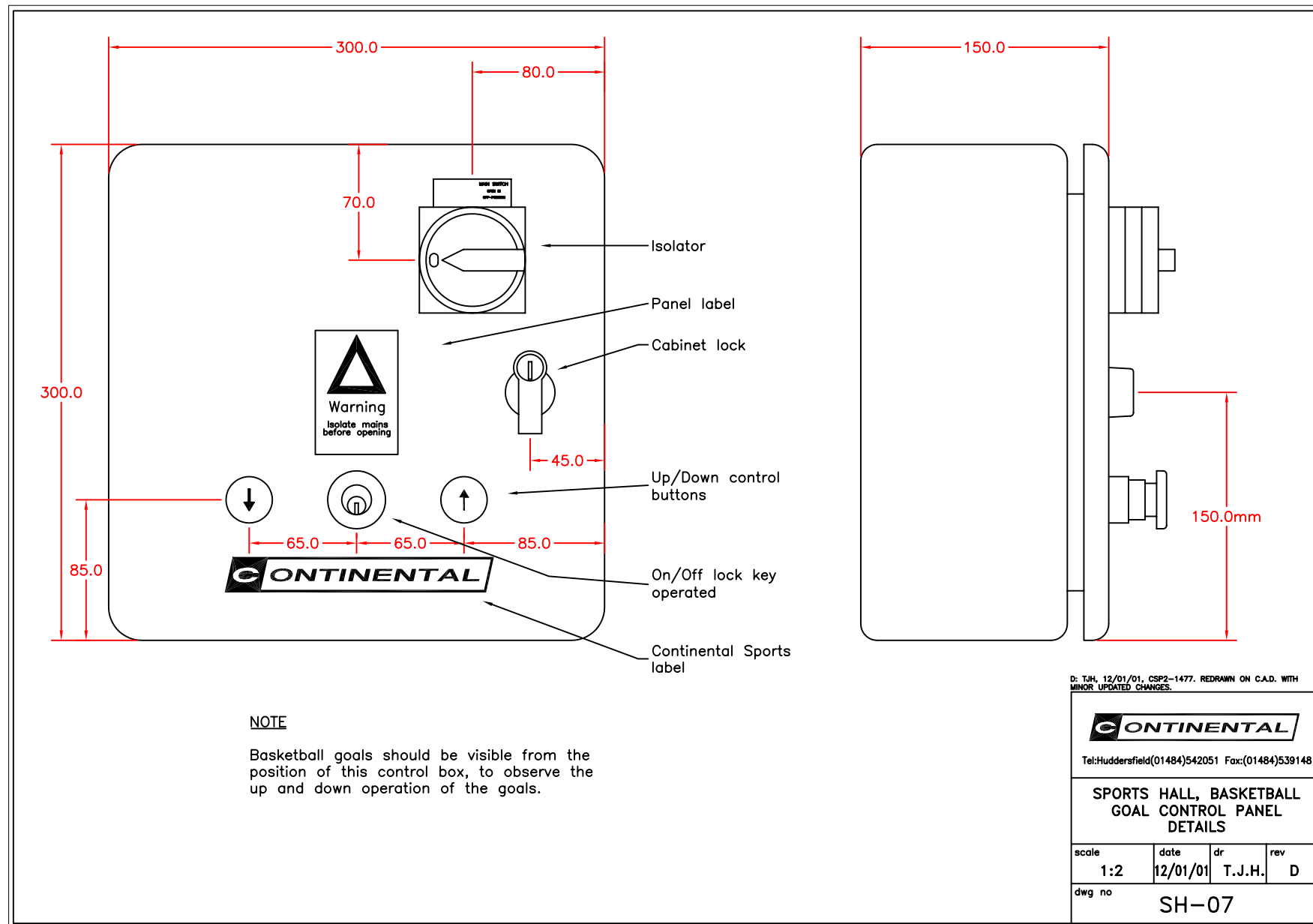
Tel:Huddersfield(01484)542051 Fax:(01484)539148

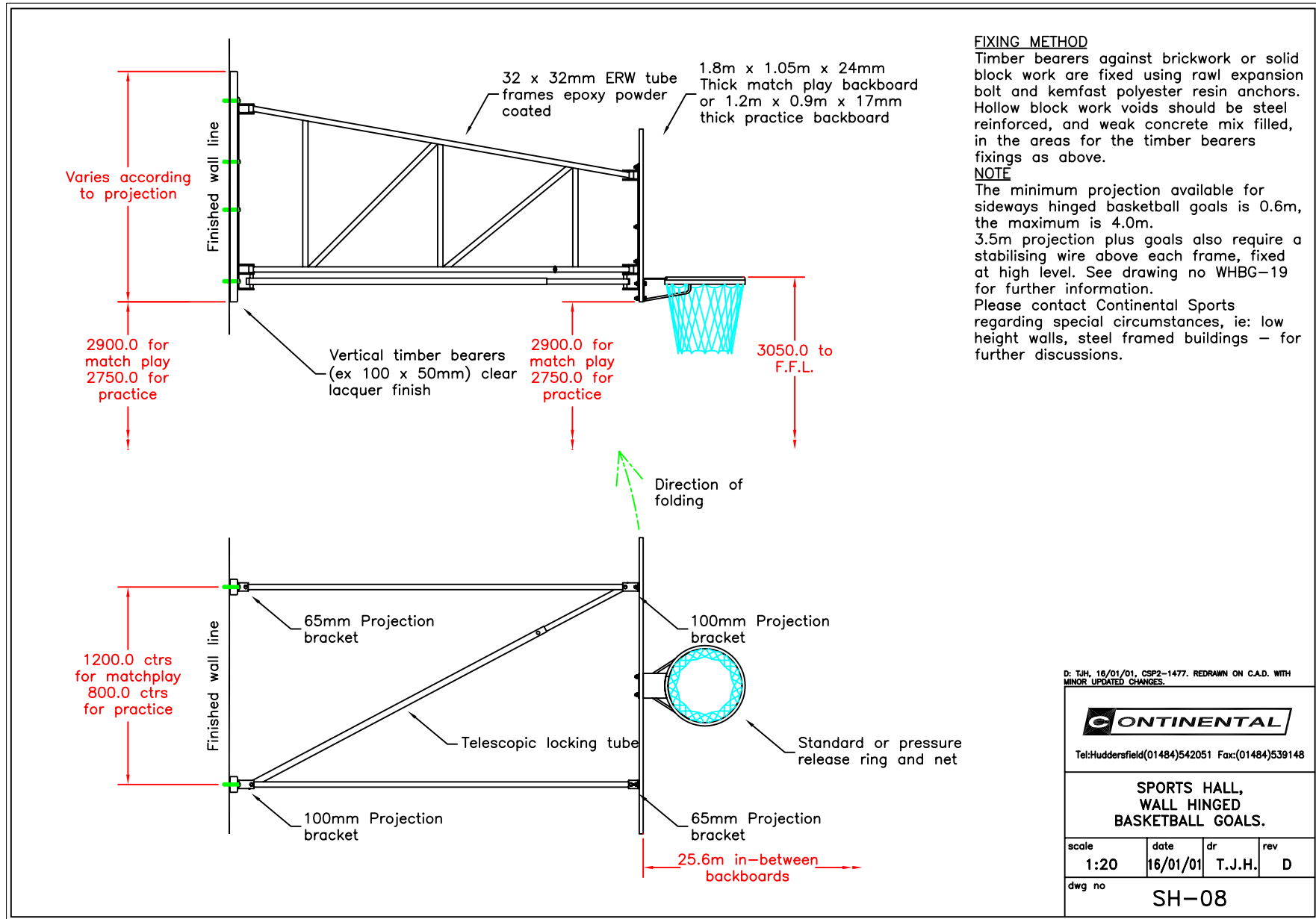
**SPORTS HALL, OVERHEAD TRAMPOLINE SPOTTING RIG DETAILS**

scale	date	dr	rev
1:50	12/01/01	T.J.H.	C

dwg no  
**SH-05**







D: T.J.H. 16/01/01, CSP2-1477. REDRAWN ON C.A.D. WITH MINOR UPDATED CHANGES.

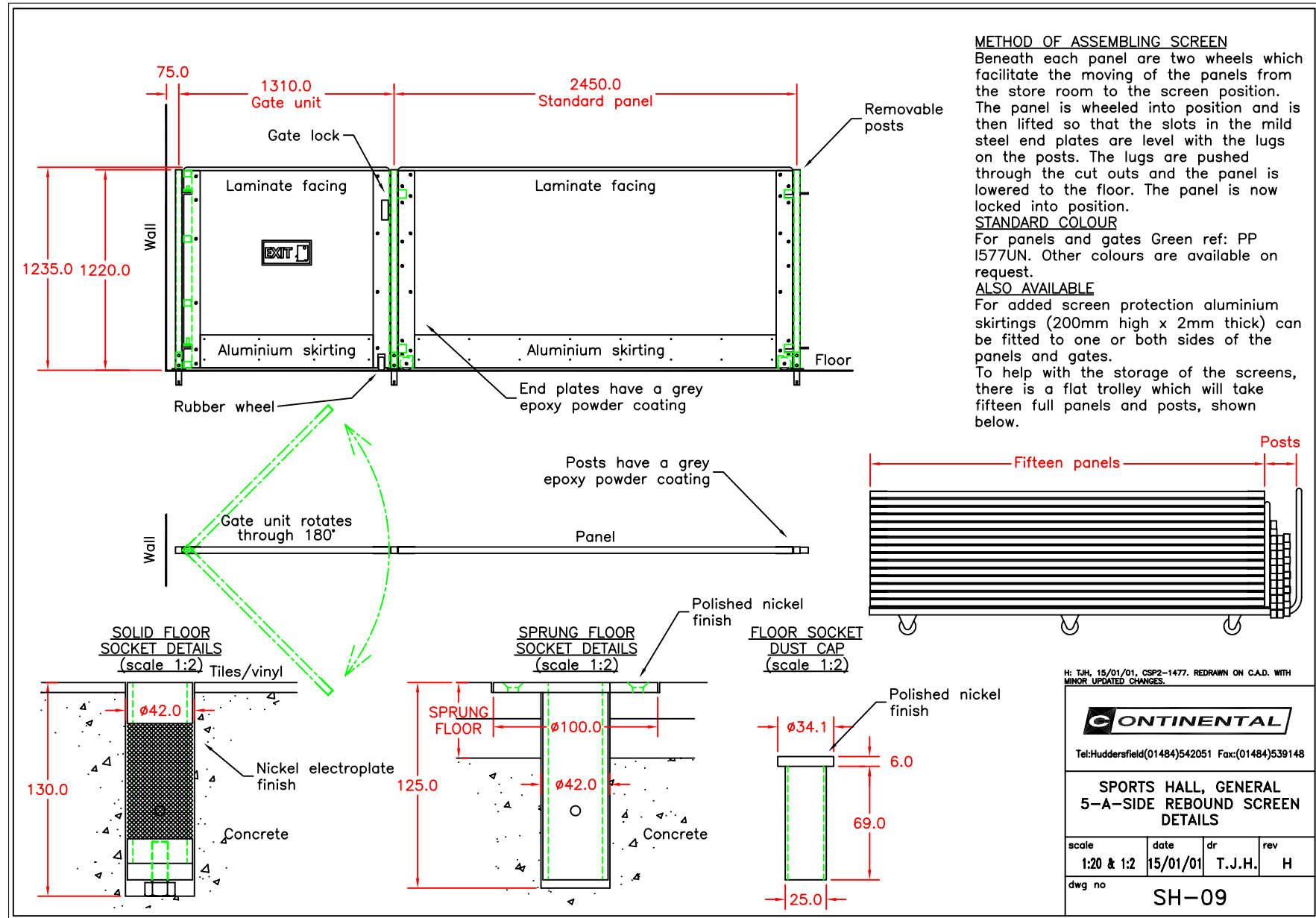


Tel:Huddersfield(01484)542051 Fax:(01484)539148

**SPORTS HALL,  
 WALL HINGED  
 BASKETBALL GOALS.**

scale	date	dr	rev
1:20	16/01/01	T.J.H.	D

dwg no  
**SH-08**



H: T.J.H. 15/01/01, CSP2-1477. REDRAWN ON C.A.D. WITH MINOR UPDATED CHANGES.

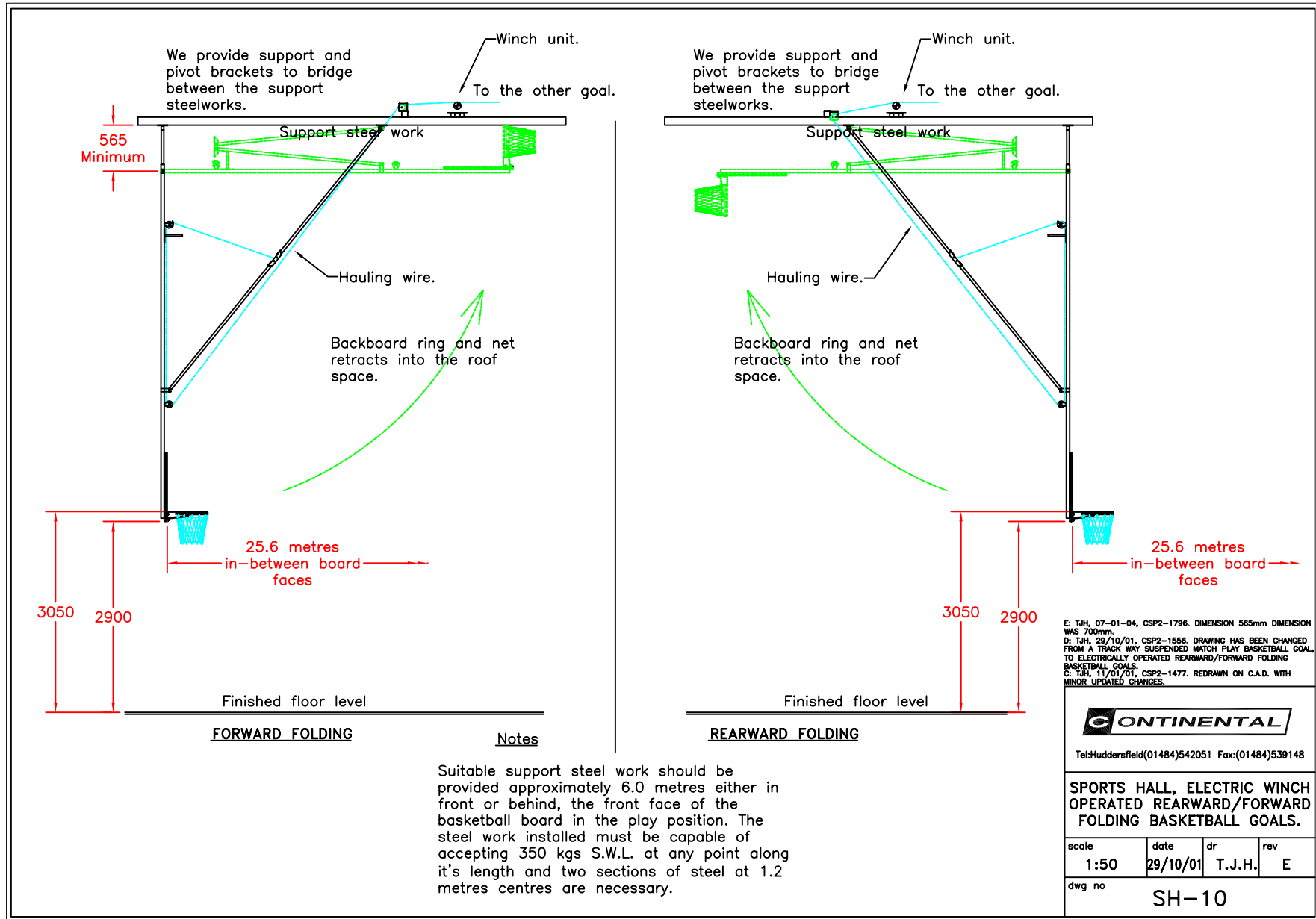


Tel:Huddersfield(01484)542051 Fax:(01484)539148

**SPORTS HALL, GENERAL  
 5-A-SIDE REBOUND SCREEN  
 DETAILS**

scale	date	dr	rev
1:20 & 1:2	15/01/01	T.J.H.	H

dwg no **SH-09**

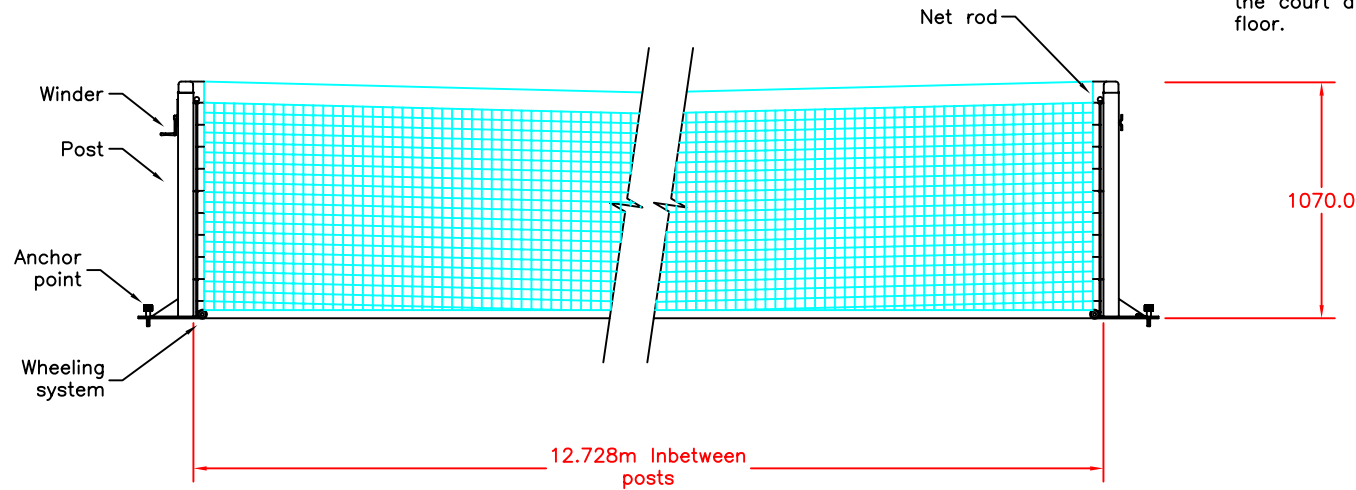


**NET DETAILS**

The net is 1.07m wide and is 12.8m long with 45mm square mesh.  
 The height of the net at the outer edges is 1.07m.  
 The height of the net at the centre of the court is 0.914m.

**PRINCIPLE POINTS OF TENNIS POSTS**

1. Problems with tensioning the net have been eliminated by the design and manufacture of a very rigid and stable post.
2. Each post is secured firmly to a floor plate. The floor plate can be installed unobtrusively in an existing floor. Solid, sprung or semi-sprung floor details required.
3. The posts have a built in wheeling system which makes them easily transportable.
4. Net rods eliminate gaps between net and posts.
5. See drawing no CM-06 for setting out of the court and anchorage points into the floor.



A: T.J.H. 15/01/01, CSP2-1477. REDRAWN ON C.A.D. WITH MINOR UPDATED CHANGES.

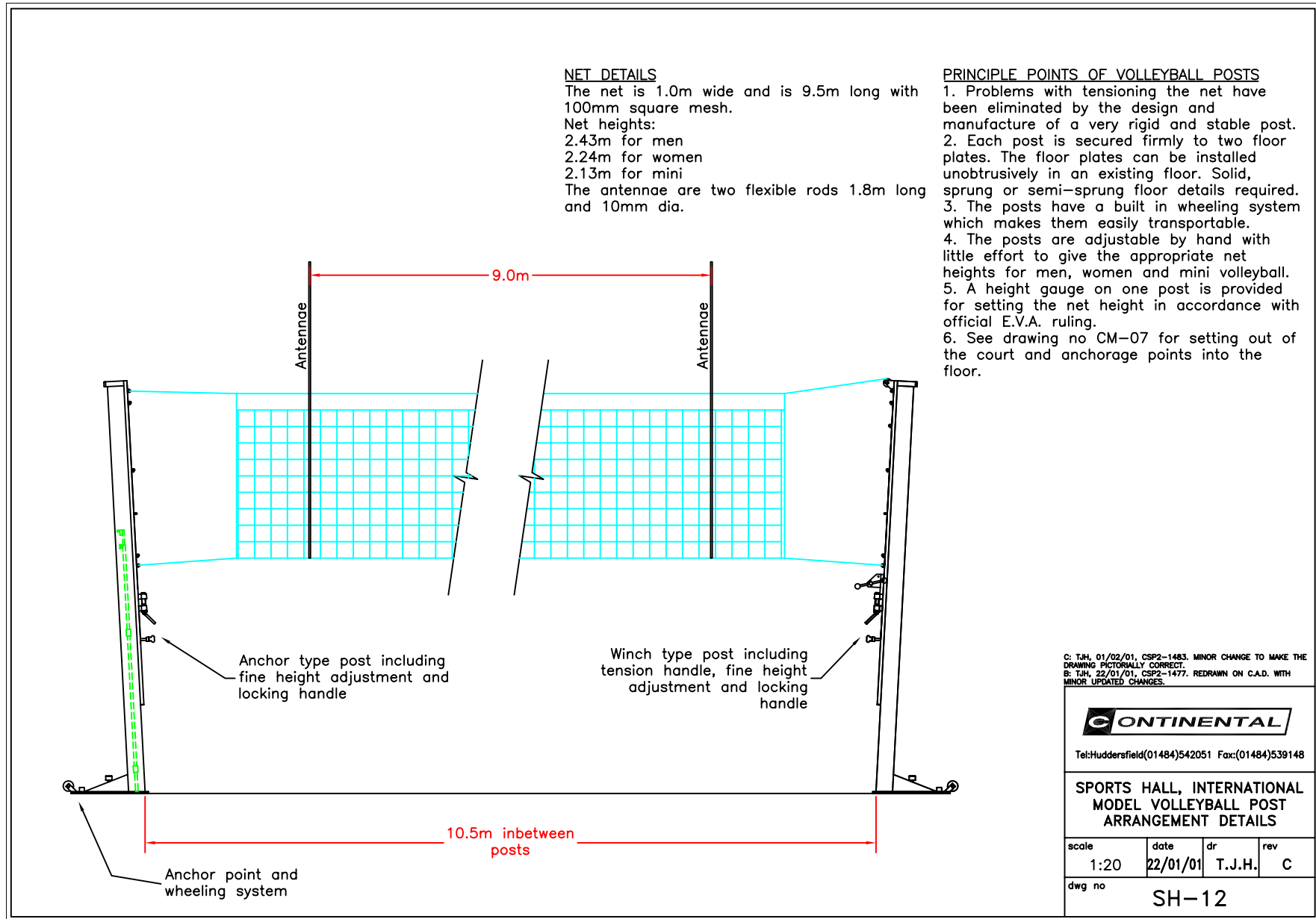


Tel:Huddersfield(01484)542051 Fax:(01484)539148

**SPORTS HALL, GENERAL  
 TENNIS POST ARRANGEMENT  
 DETAILS**

scale	date	dr	rev
1:20	16/01/01	T.J.H.	A

dwg no  
**SH-11**

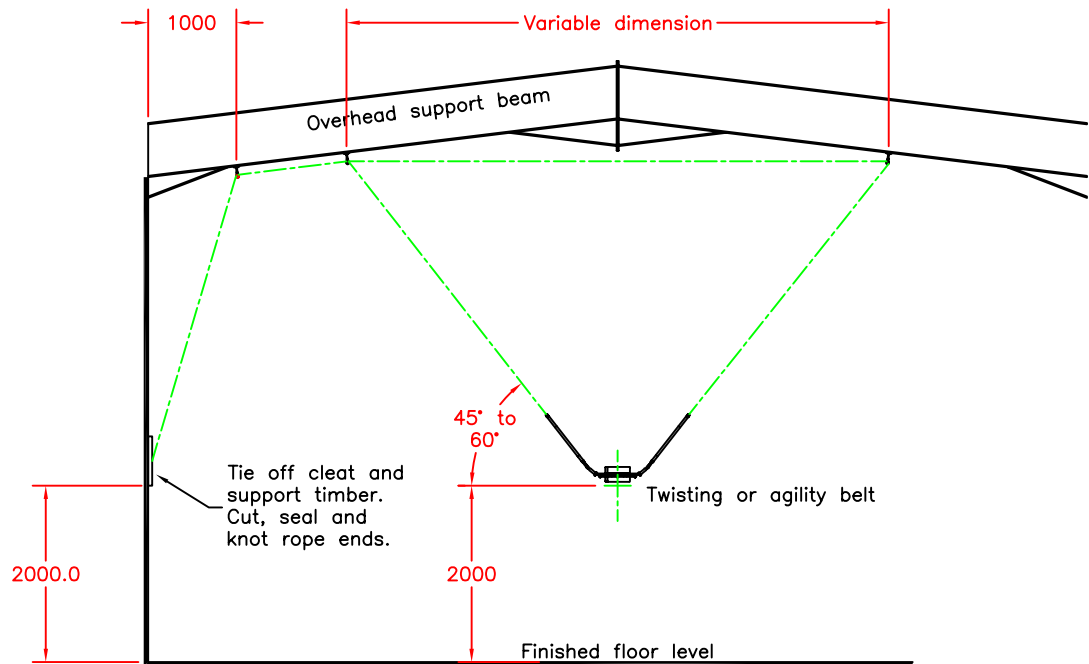


Notes

The beam supporting the trampoline spotting rig brackets should be able to accept 305 kgs load with an additional safety factor over this figure.

Construction details of the support beam are requested to be sent together with the height to the underside of the eaves, underside of the gusset and angle of the pitch.

See additional leaflet: Using the overhead spotting rig.



A: T.J.H. 12/01/01, CSP2-1477. REDRAWN ON C.A.D. WITH MINOR UPDATED CHANGES.

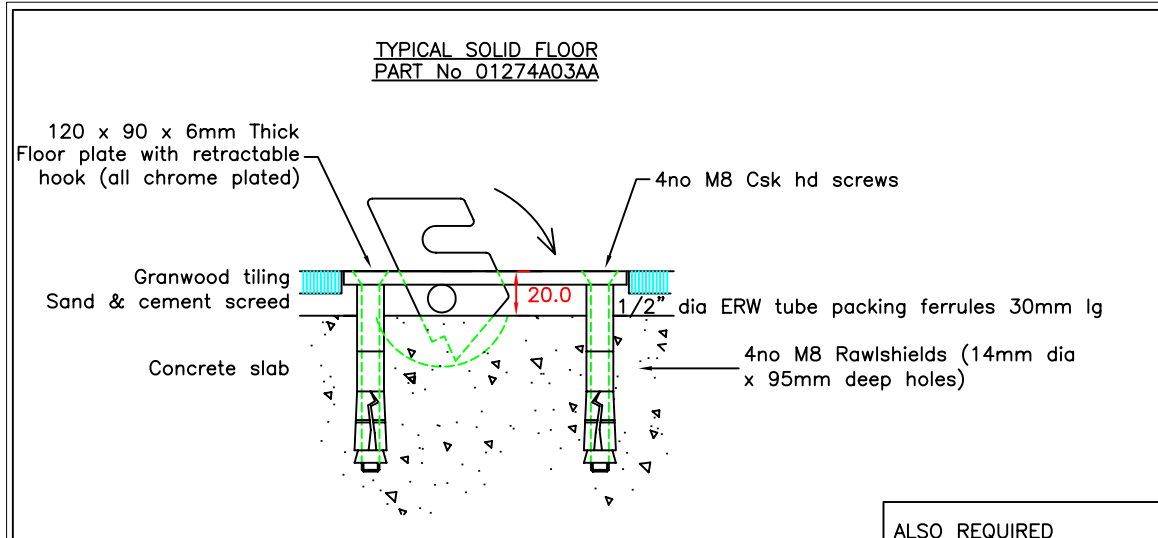


Tel:Huddersfield(01484)542051 Fax:(01484)539148

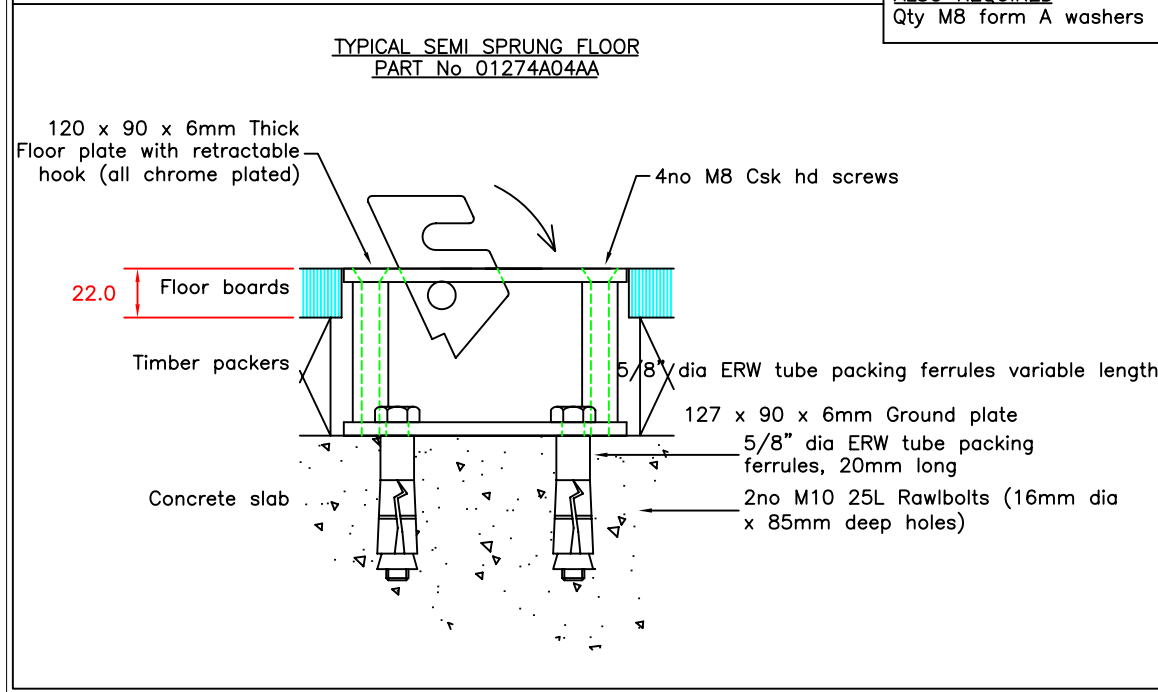
**SPORTS HALL, OVERHEAD TRAMPOLINE SPOTTING RIG DETAILS (PITCHED ROOF)**

scale	date	dr	rev
1:50	16/01/01	T.J.H.	A

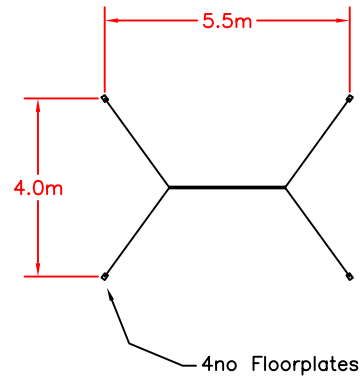
dwg no  
**SH-13**



**ALSO REQUIRED**  
Qty M8 form A washers



LOCATION PLAN OF  
APPARATUS FLOOR PLATES  
Scale 1:50



Horizontal bar, asymmetric bars or ringframe (horizontal bar shown)

G: T.J.H. 22/01/01, CSP2-1477. REDRAWN ON C.A.D. WITH MINOR UPDATED CHANGES.

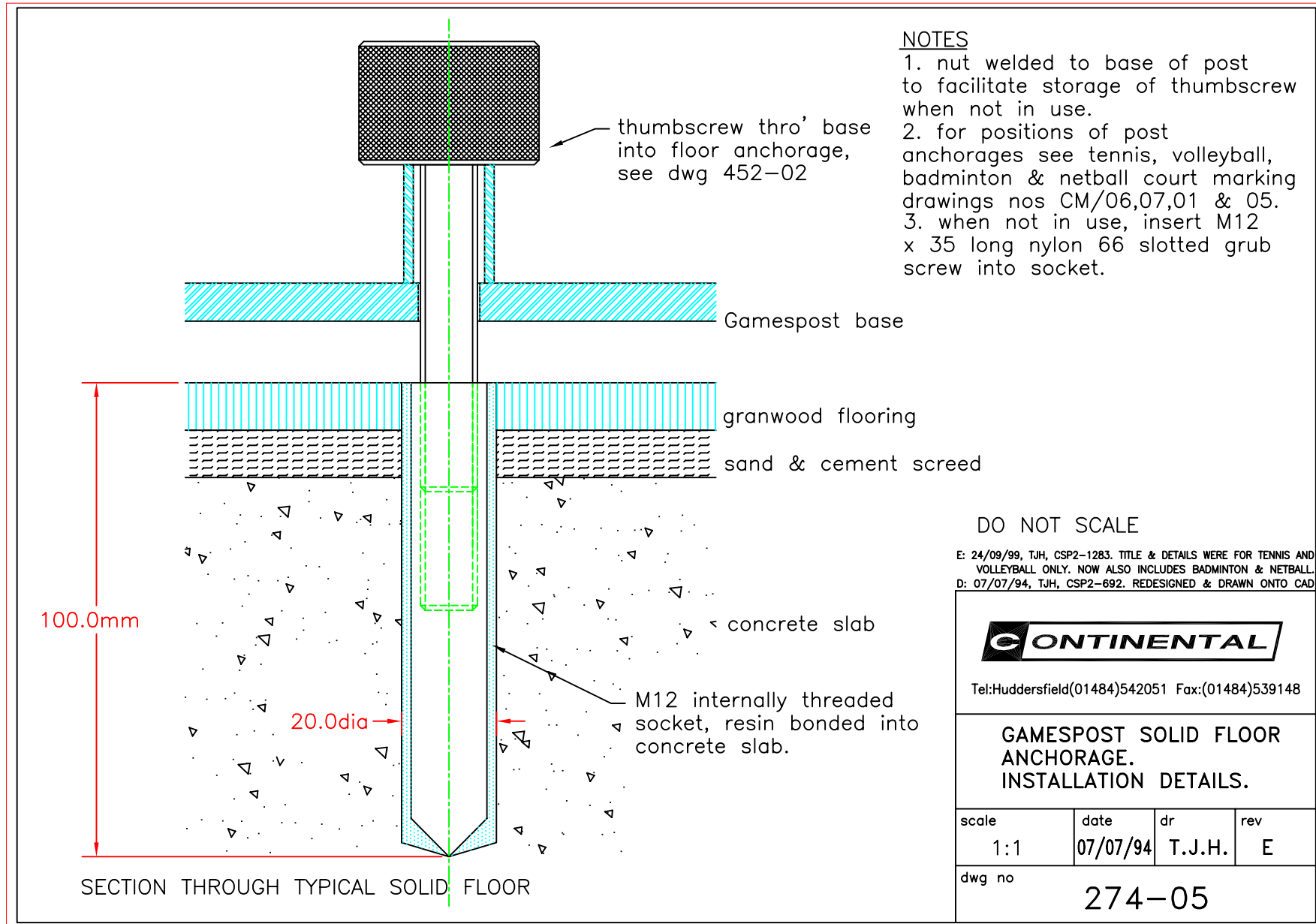


Tel:Huddersfield(01484)542051 Fax:(01484)539148

**GYMNASTIC APPARATUS  
FLOORPLATE INSTALLATION  
DETAILS**

scale	date	dr	rev
1:2 & 1:50	22/01/01	T.J.H.	G

dwg no  
**274-04**



NOTES

1. nut welded to base of post to facilitate storage of thumbscrew when not in use.
2. for positions of post anchorages see tennis, volleyball, badminton & netball court marking drawings nos CM/06,07,01 & 05.
3. when not in use, insert M12 x 35 long nylon 66 slotted grub screw into socket.

DO NOT SCALE

E: 24/09/99, TJH, CSP2-1283. TITLE & DETAILS WERE FOR TENNIS AND VOLLEYBALL ONLY. NOW ALSO INCLUDES BADMINTON & NETBALL.  
D: 07/07/94, TJH, CSP2-692. REDESIGNED & DRAWN ONTO CAD

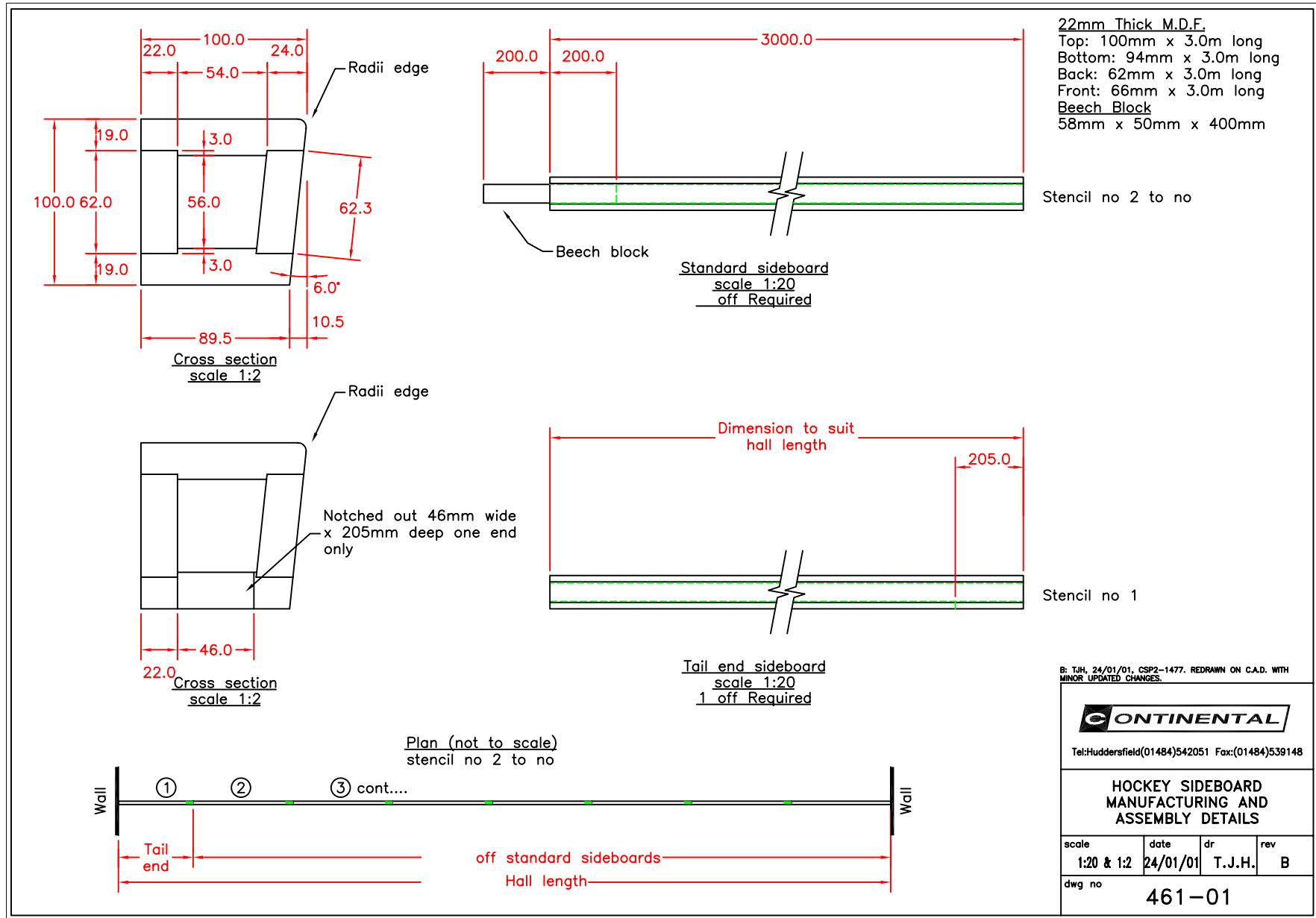


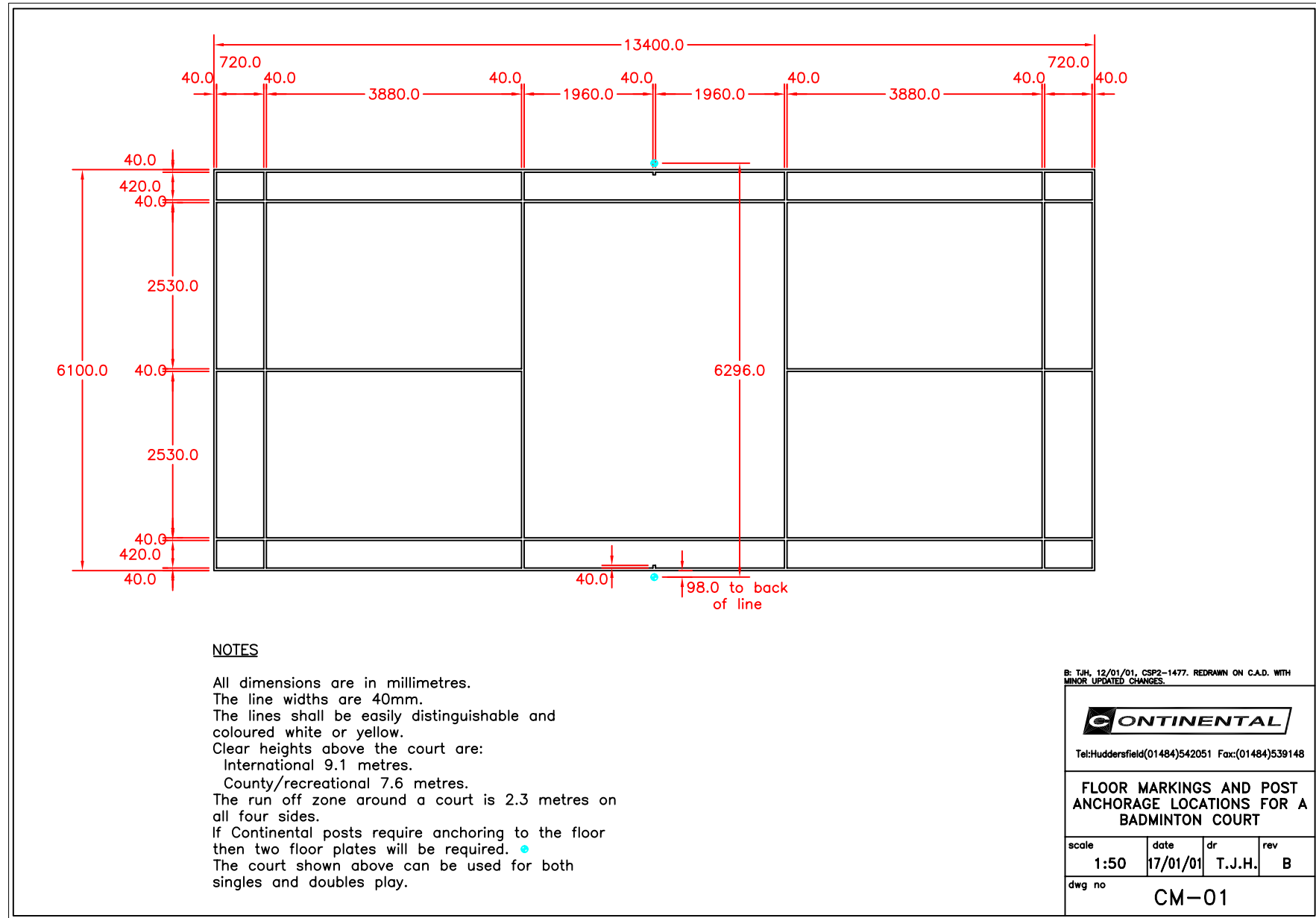
Tel:Huddersfield(01484)542051 Fax:(01484)539148

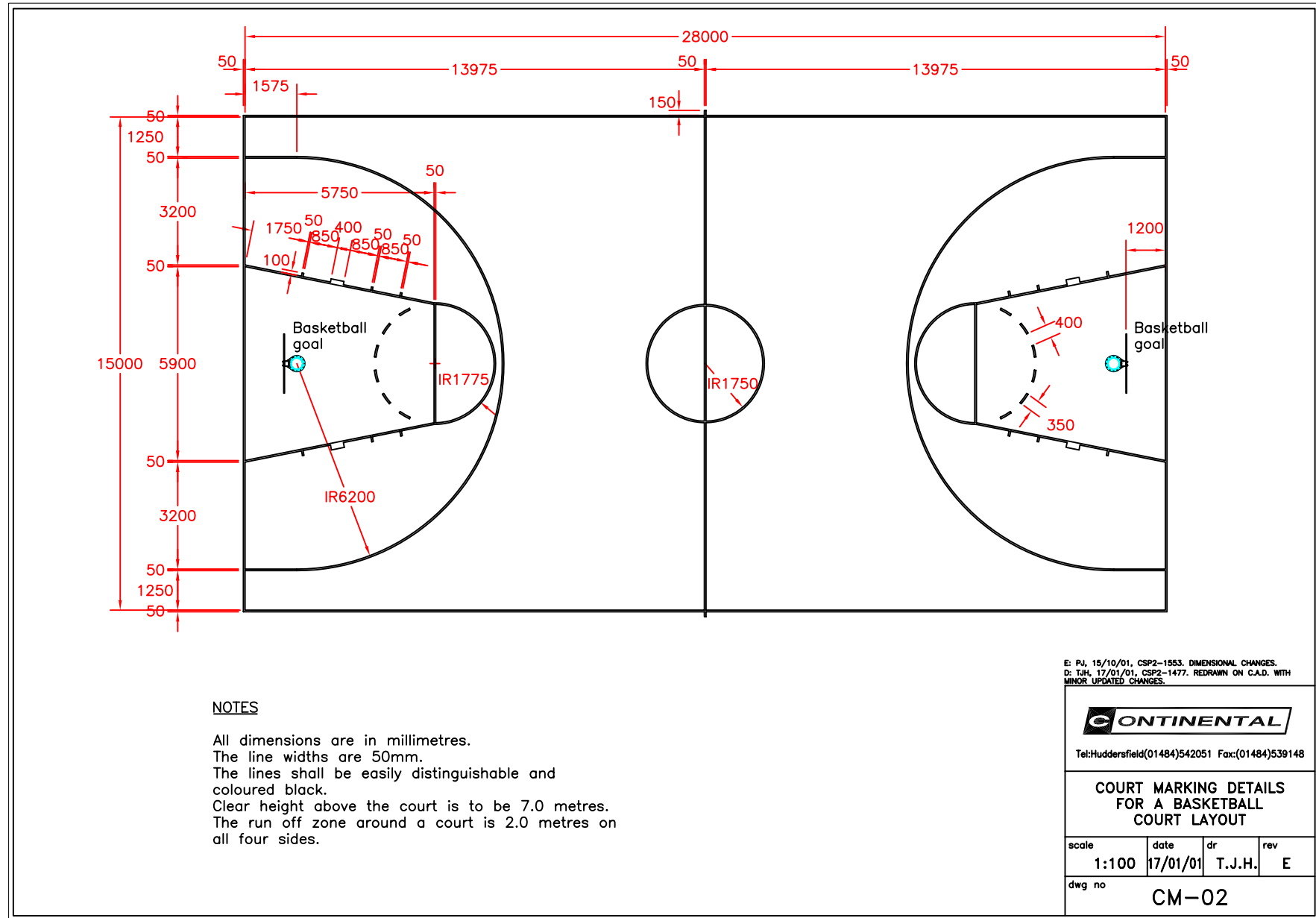
**GAMESPOST SOLID FLOOR ANCHORAGE. INSTALLATION DETAILS.**

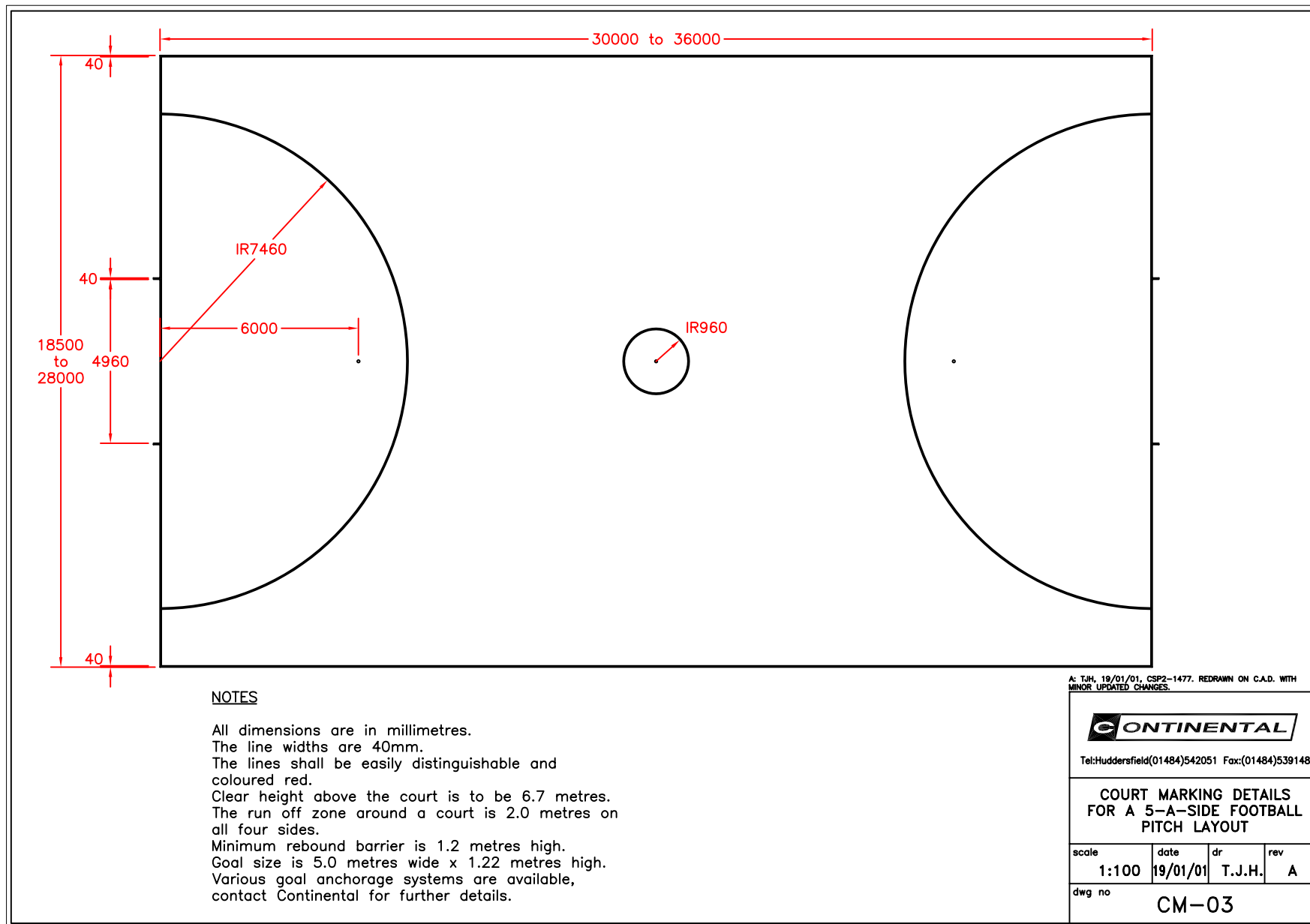
scale	date	dr	rev
1:1	07/07/94	T.J.H.	E

dwg no **274-05**









**NOTES**

All dimensions are in millimetres.  
 The line widths are 40mm.  
 The lines shall be easily distinguishable and coloured red.  
 Clear height above the court is to be 6.7 metres.  
 The run off zone around a court is 2.0 metres on all four sides.  
 Minimum rebound barrier is 1.2 metres high.  
 Goal size is 5.0 metres wide x 1.22 metres high.  
 Various goal anchorage systems are available, contact Continental for further details.

A: T.J.H. 19/01/01, CSP2-1477. REDRAWN ON C.A.D. WITH MINOR UPDATED CHANGES.

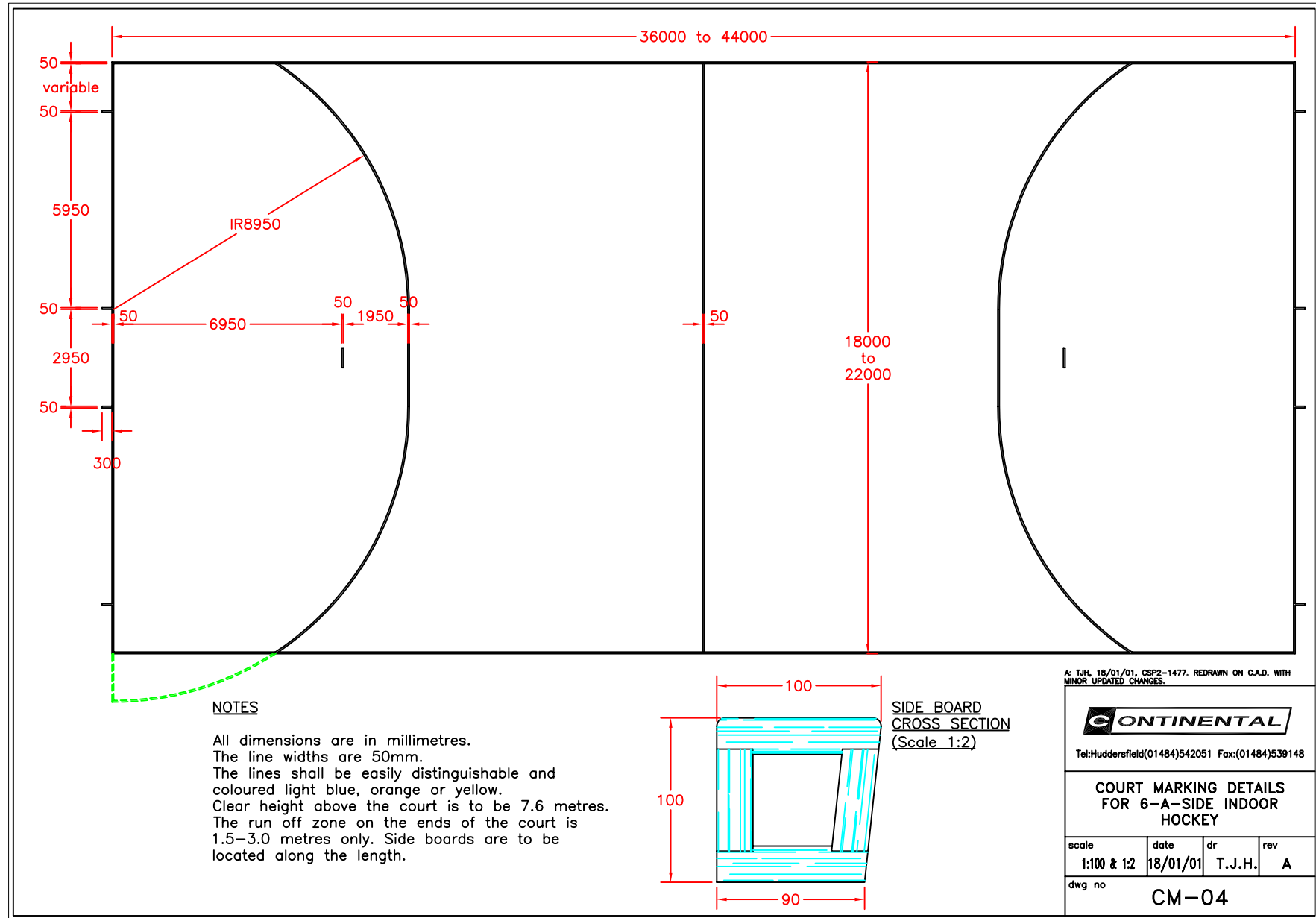


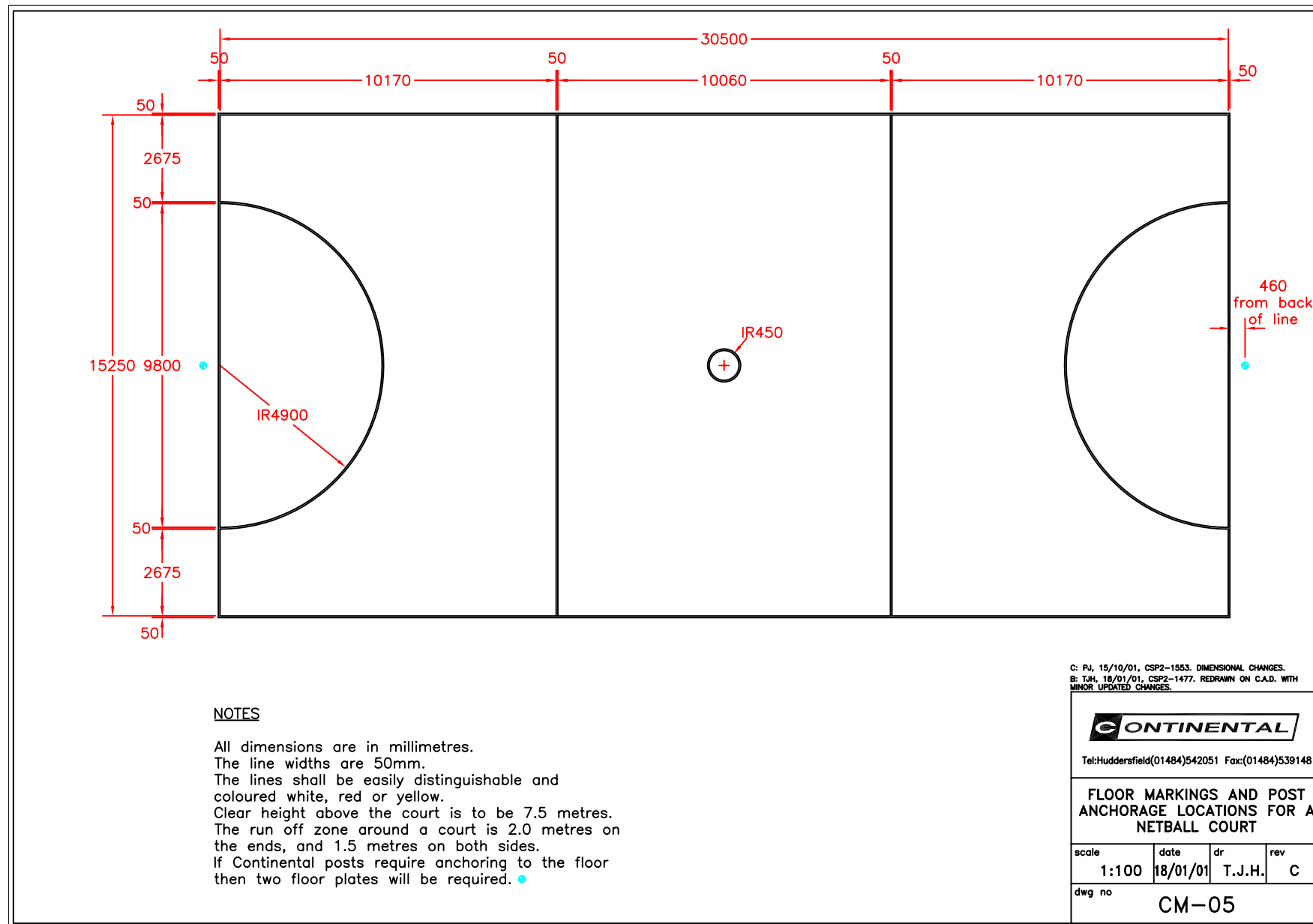
Tel:Huddersfield(01484)542051 Fax:(01484)539148

**COURT MARKING DETAILS FOR A 5-A-SIDE FOOTBALL PITCH LAYOUT**

scale	date	dr	rev
1:100	19/01/01	T.J.H.	A

dwg no **CM-03**





**NOTES**

All dimensions are in millimetres.  
 The line widths are 50mm.  
 The lines shall be easily distinguishable and coloured white, red or yellow.  
 Clear height above the court is to be 7.5 metres.  
 The run off zone around a court is 2.0 metres on the ends, and 1.5 metres on both sides.  
 If Continental posts require anchoring to the floor then two floor plates will be required. •

C: P.J. 15/10/01, CSP2-1553. DIMENSIONAL CHANGES.  
 B: T.J.H. 18/01/01, CSP2-1477. REDRAWN ON C.A.D. WITH MINOR UPDATED CHANGES.

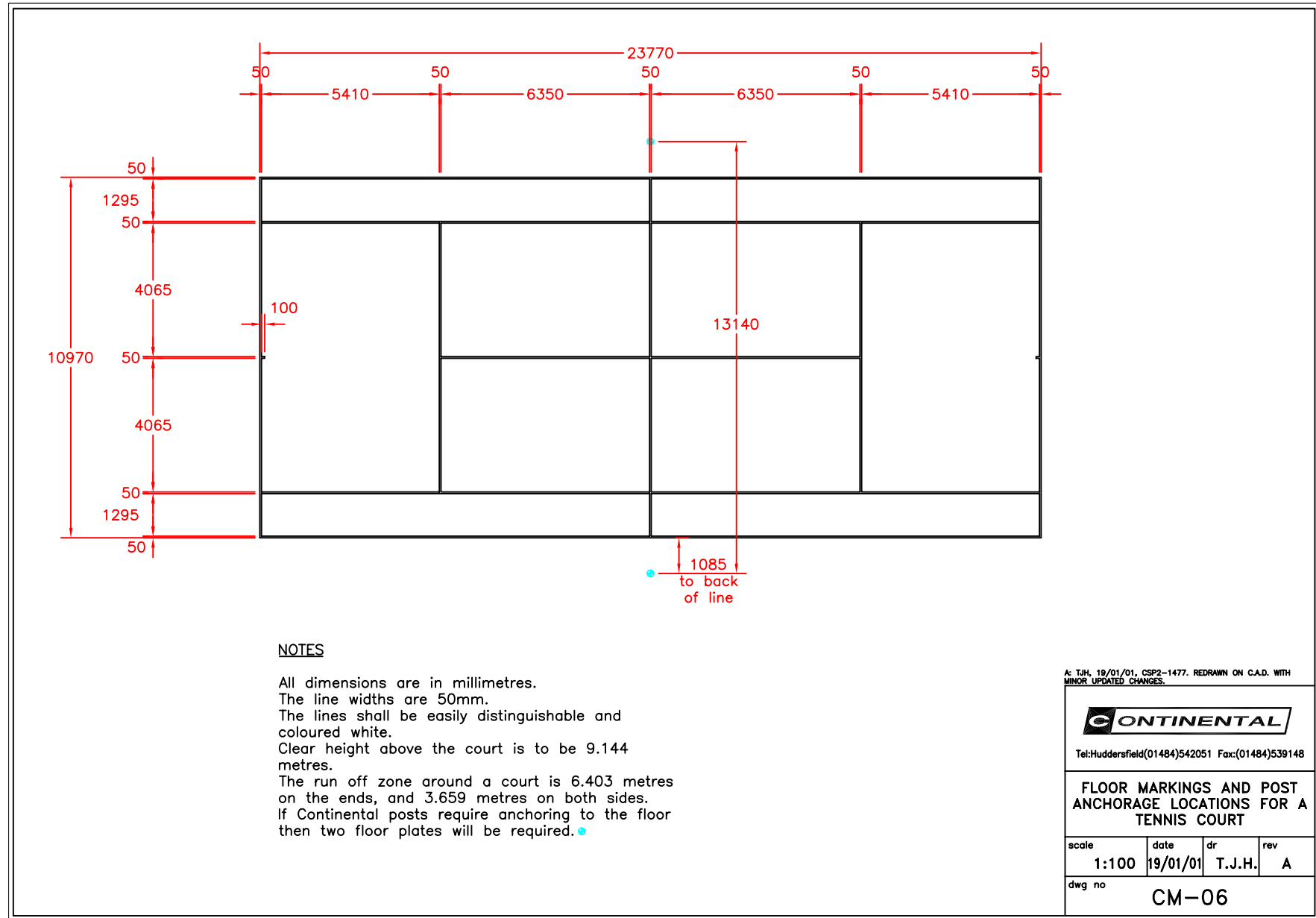


Tel:Huddersfield(01484)542051 Fax:(01484)539148

**FLOOR MARKINGS AND POST ANCHORAGE LOCATIONS FOR A NETBALL COURT**

scale	date	dr	rev
1:100	18/01/01	T.J.H.	C

dwg no  
**CM-05**



**NOTES**

All dimensions are in millimetres.  
 The line widths are 50mm.  
 The lines shall be easily distinguishable and coloured white.  
 Clear height above the court is to be 9.144 metres.  
 The run off zone around a court is 6.403 metres on the ends, and 3.659 metres on both sides.  
 If Continental posts require anchoring to the floor then two floor plates will be required. ●

A: T.J.H. 19/01/01, CSP2-1477. REDRAWN ON C.A.D. WITH MINOR UPDATED CHANGES.

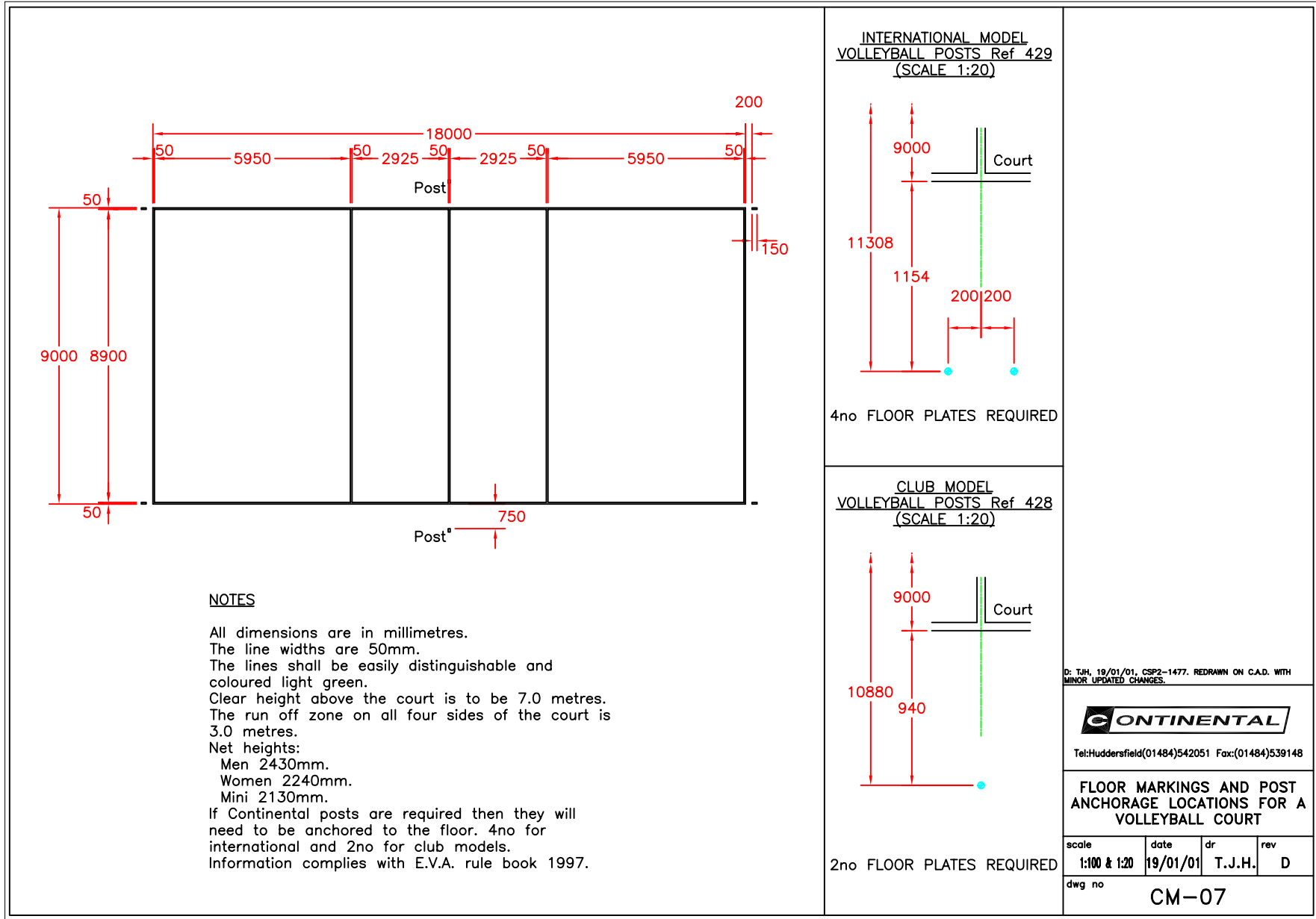


Tel:Huddersfield(01484)542051 Fax:(01484)539148

**FLOOR MARKINGS AND POST ANCHORAGE LOCATIONS FOR A TENNIS COURT**

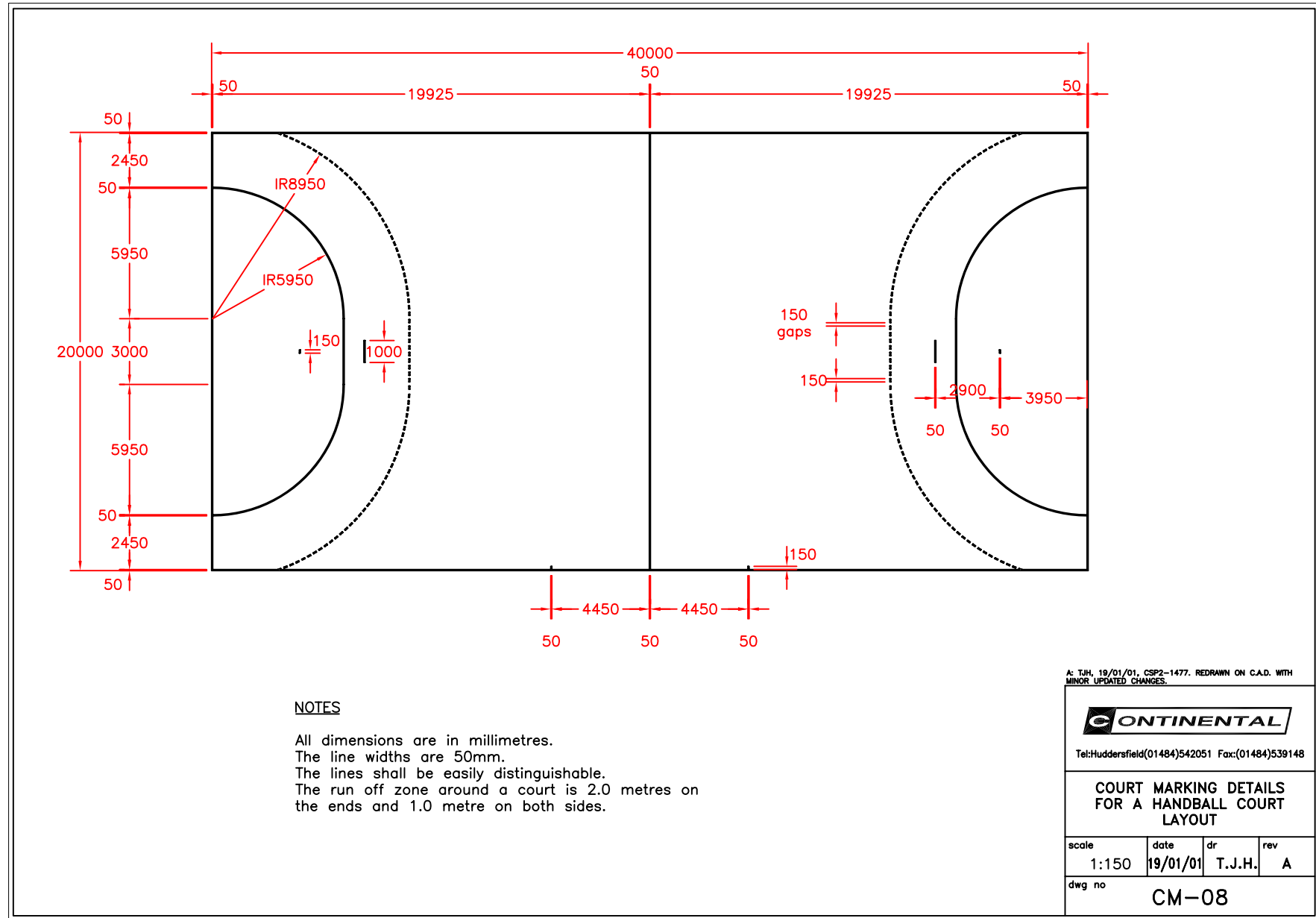
scale	date	dr	rev
1:100	19/01/01	T.J.H.	A

dwg no  
**CM-06**



**NOTES**

All dimensions are in millimetres.  
 The line widths are 50mm.  
 The lines shall be easily distinguishable and coloured light green.  
 Clear height above the court is to be 7.0 metres.  
 The run off zone on all four sides of the court is 3.0 metres.  
 Net heights:  
 Men 2430mm.  
 Women 2240mm.  
 Mini 2130mm.  
 If Continental posts are required then they will need to be anchored to the floor. 4no for international and 2no for club models.  
 Information complies with E.V.A. rule book 1997.



**NOTES**

All dimensions are in millimetres.  
 The line widths are 50mm.  
 The lines shall be easily distinguishable.  
 The run off zone around a court is 2.0 metres on the ends and 1.0 metre on both sides.

A: T.J.H. 19/01/01, CSP2-1477. REDRAWN ON C.A.D. WITH MINOR UPDATED CHANGES.

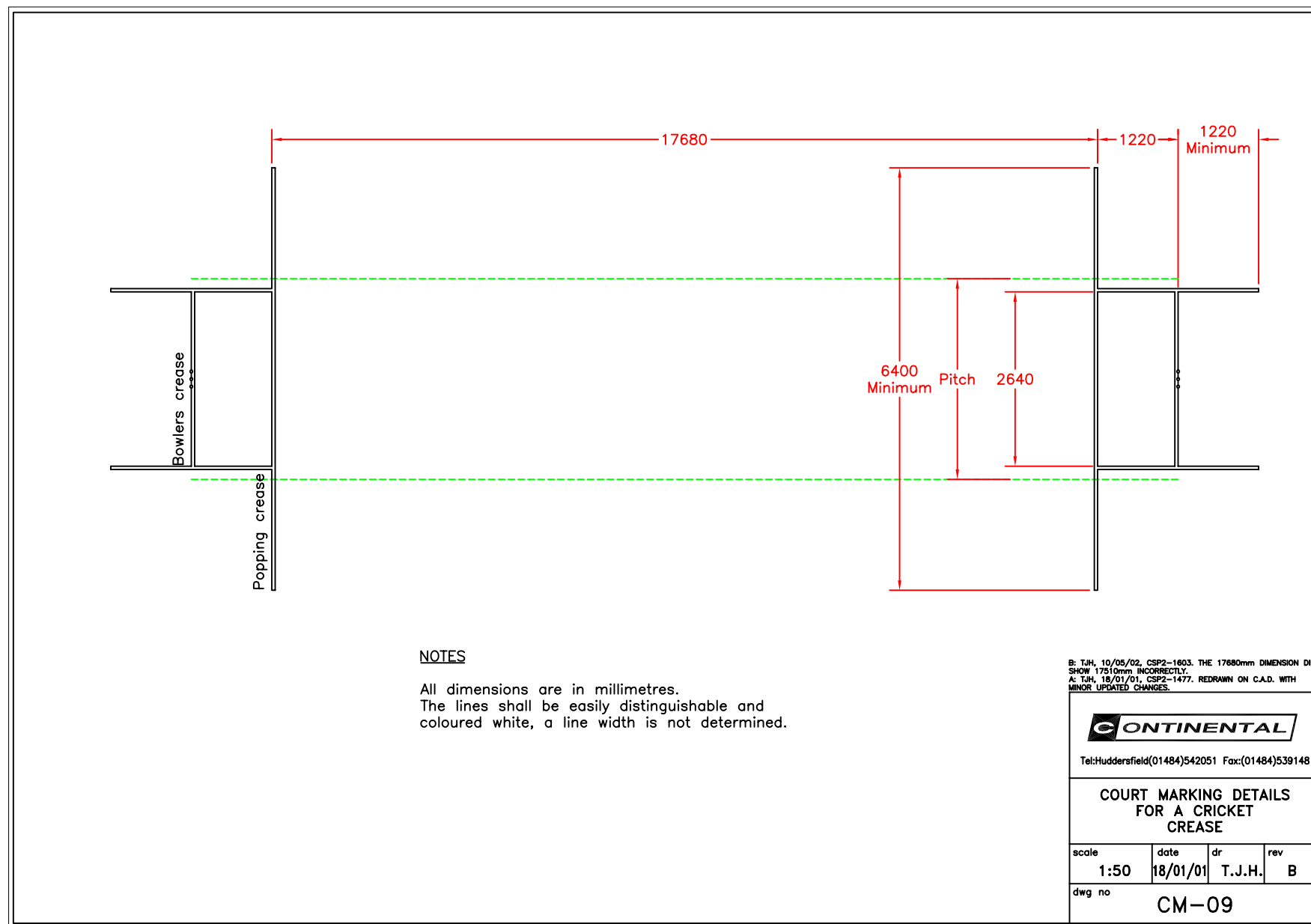


Tel:Huddersfield(01484)542051 Fax:(01484)539148

**COURT MARKING DETAILS  
 FOR A HANDBALL COURT  
 LAYOUT**

scale	date	dr	rev
1:150	19/01/01	T.J.H.	A

dwg no  
**CM-08**



**NOTES**

All dimensions are in millimetres.  
The lines shall be easily distinguishable and coloured white, a line width is not determined.

B: T.J.H., 10/05/02, CSP2-1603. THE 17680mm DIMENSION DID SHOW 17510mm INCORRECTLY.  
A: T.J.H., 18/01/01, CSP2-1477. REDRAWN ON C.A.D. WITH MINOR UPDATED CHANGES.



Tel:Huddersfield(01484)542051 Fax:(01484)539148

**COURT MARKING DETAILS  
FOR A CRICKET  
CREASE**

scale	date	dr	rev
1:50	18/01/01	T.J.H.	B

dwg no  
**CM-09**